

TOORX
PROFESSIONAL LINE

INSTRUCTION



WBX3400

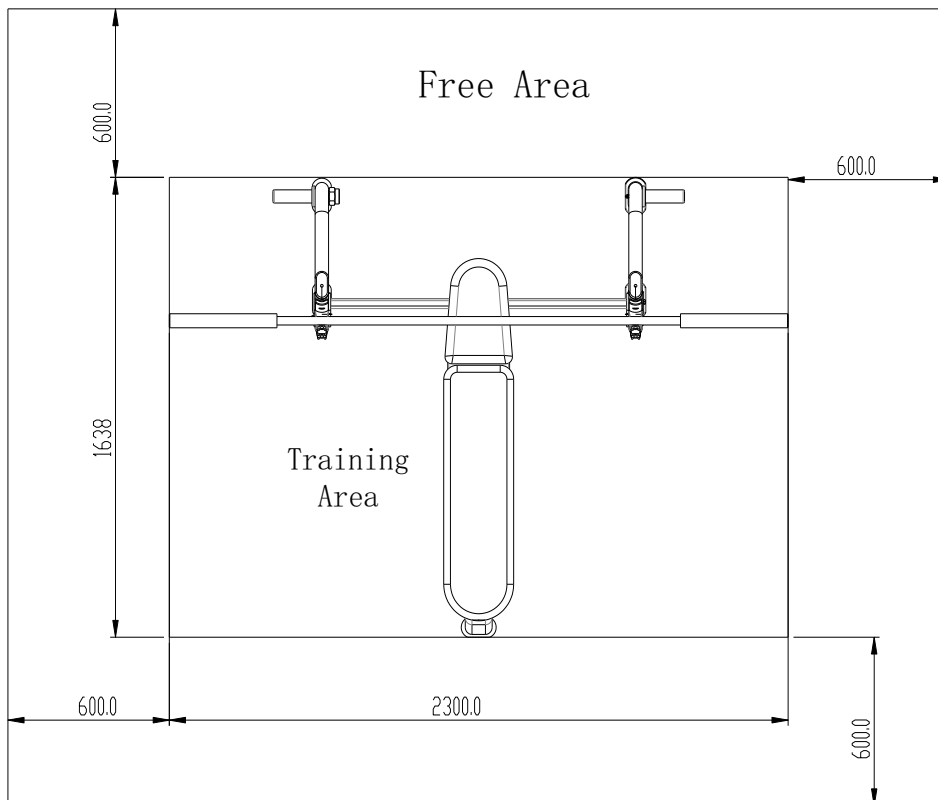


Cod : GRLDTOORXWBX3400

Rev : 00

Ed : 06/18

Training Area and Free Area



Specifications

Class: S

Maximum Wt. Capacity: 150kg/330IBS

Maximum User Weight: 135kg/297IBS

Product Total Surface: 2300*1638mm

Product Total Mass: 100kg/220IBS

REGULAR MAINTENANCE

1. The safety level of the equipment can be maintained only if it is examined regularly for damage and wear, e.g. ropes, pulleys, connection points;
2. Pay special attention to components most susceptible to wear.
3. Replace defective components immediately and /or keep the equipment out of use until repair;

| MAINTENANCE | EVERYDAY | EVERY WEEK | THREE MONTHS |
|--|----------|------------|--------------|
| Check: connecting, bolt, Weight stack bolt | √ | | |
| Clearance: cushion and cover | √ | | |
| Lubrication: place of sliding | | | √ |
| Check: bolt if tighten | | √ | |
| Lubrication: Bracket of bearing | | | √ |

4. This equipment should carry on regular maintenance according to the following chart:

INSTALL SKETCH MAP

Let assembly become easier

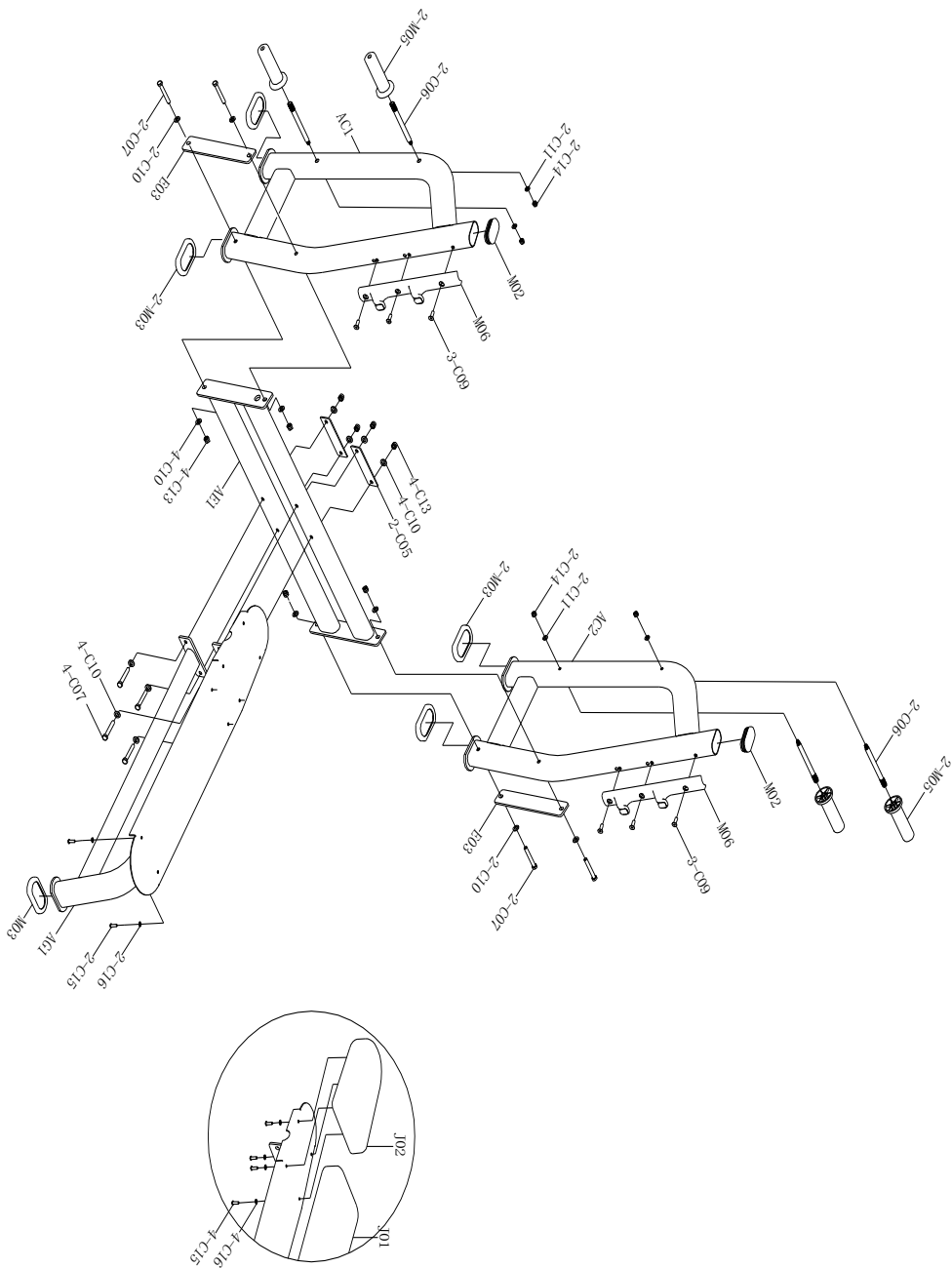
All the content of user's manual is to assured the strength training machine can be installed more easily

Reading the details and instructions before installing:

1. Because the size and weight of equipment is so large, Please choose the installed place near the desired station and assured there is enough space to exercise
2. All parts can be put on the clear area, then backout the wrapper. And the wrapper can't be through away before installation finished.
3. Screw the bolt tightly except the additional instruction
4. All parts must be installed according the illustration indication.

5. Installation work can be finished by tow men
6. Identify all parts by part identify chart

Exploded Picture

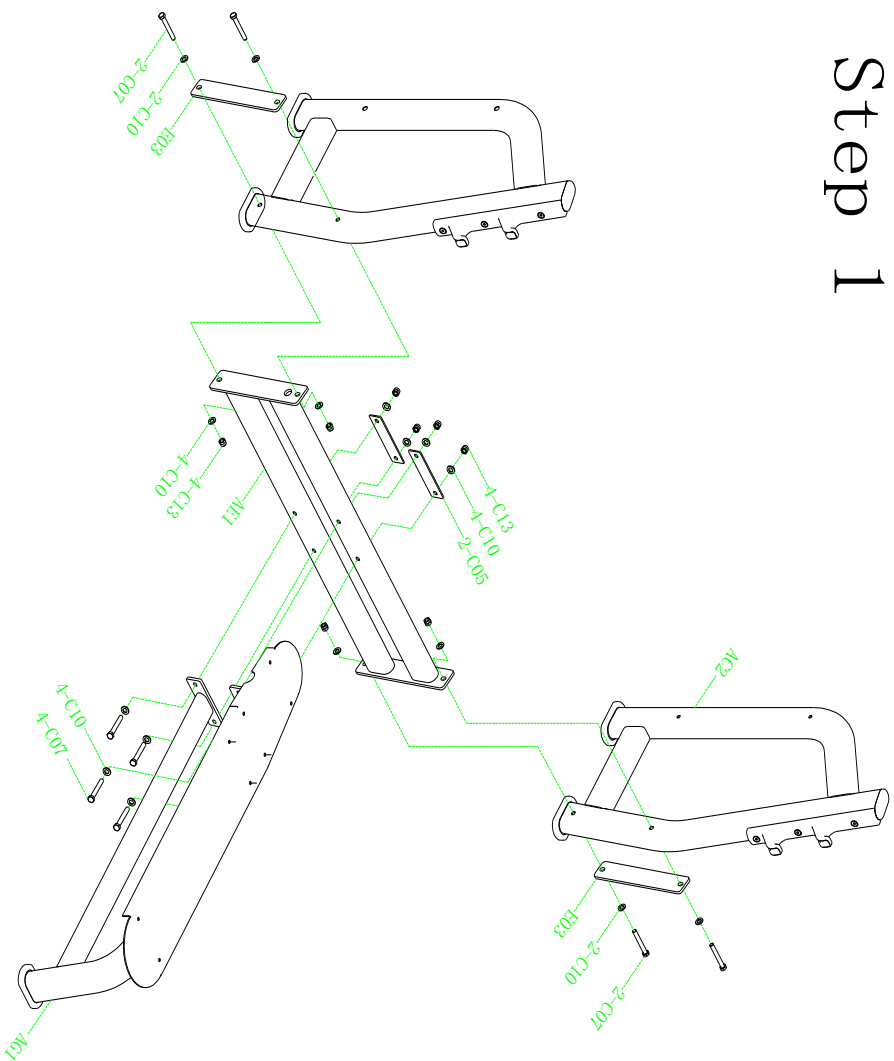


Assembly Step:

Use tool:

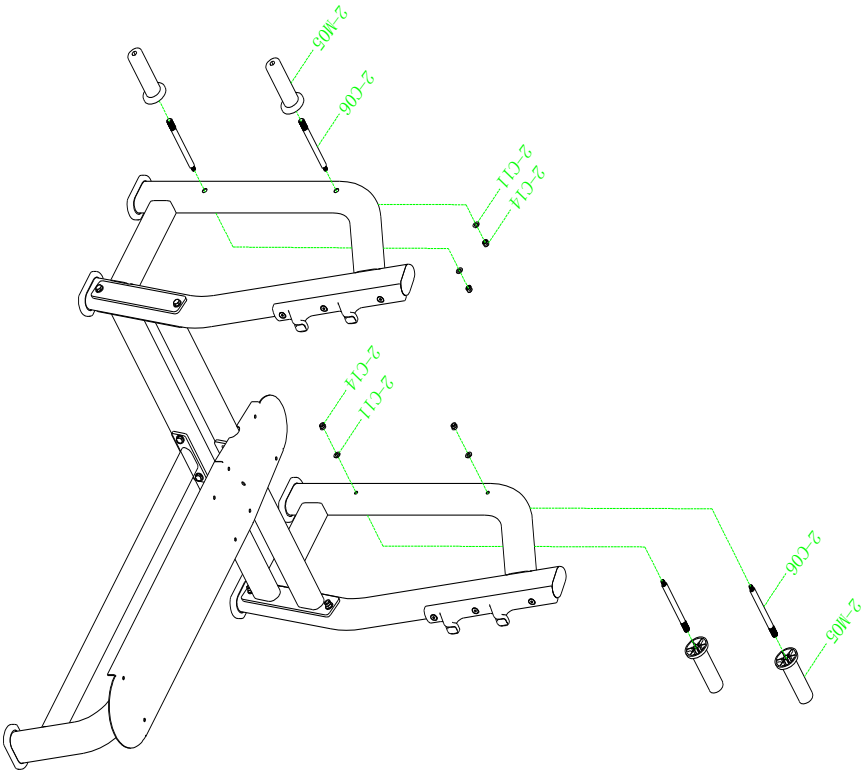
- 1. M6 Hex spanner**
- 2. Two 13-16 spanner**
- 3. Two 17-19 spanner**

Step 1



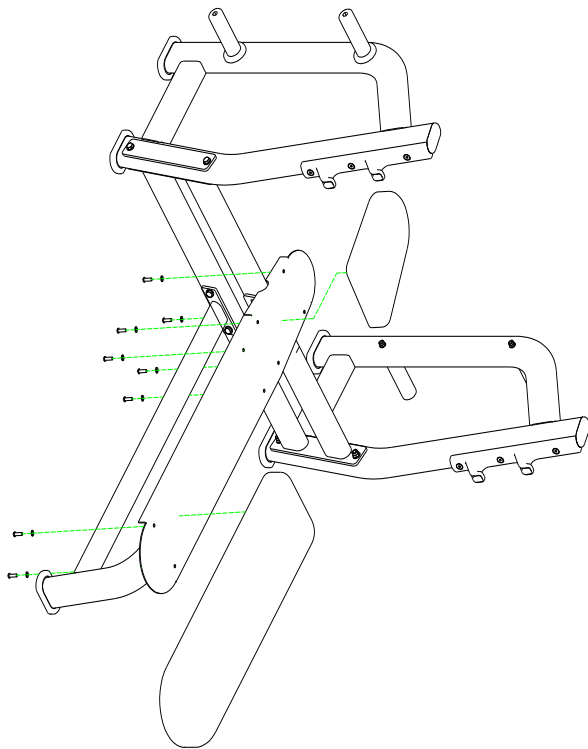
| No. | name | size | quantity |
|-----|----------------------------------|----------------|----------|
| AC1 | main frame welding group | | 1 |
| AC2 | main frame welding group | | 1 |
| AE1 | connection support welding group | | 1 |
| AG1 | Board welding | | 1 |
| E03 | connection board | 365L*60W*8t | 2 |
| C05 | connection board | 180L*50W*4t | 2 |
| C07 | outer hexagon screw | M12*1.75P-80L | 8 |
| C10 | gasket | φ13.5*φ24*2.5t | 16 |
| C13 | lock nut | M12*1.75P | 8 |

Step 2



| No. | name | size | quantity |
|-----|-------------|----------------------|----------|
| M05 | plastic bar | A9-006 | 4 |
| C06 | Foamed rod | 1 1/8" x 190L | 4 |
| C11 | gasket | 1 1/2" x 1 1/2" x 2t | 4 |
| C14 | lock nut | M10x1.5P | 4 |

Step 3



| No. | name | size | quantity |
|-----|---------------------|----------------|----------|
| J01 | upholstery | E1 | E1 |
| J02 | upholstery | E2 | 1 |
| C16 | gasket | 1 Ø* 1 Ø* 11,6 | 8 |
| C15 | inner hexagon screw | M8*1,25P-25L | 8 |



GARLANDO SPA
Via Regione Piemonte, 32 - Zona Industriale D1
15068 - Pozzolo Formigaro (AL) - Italy
www.toorx.it - info@toorx.it