

TOORX
PROFESSIONAL LINE

MANUAL DE INSTRUCCIONES



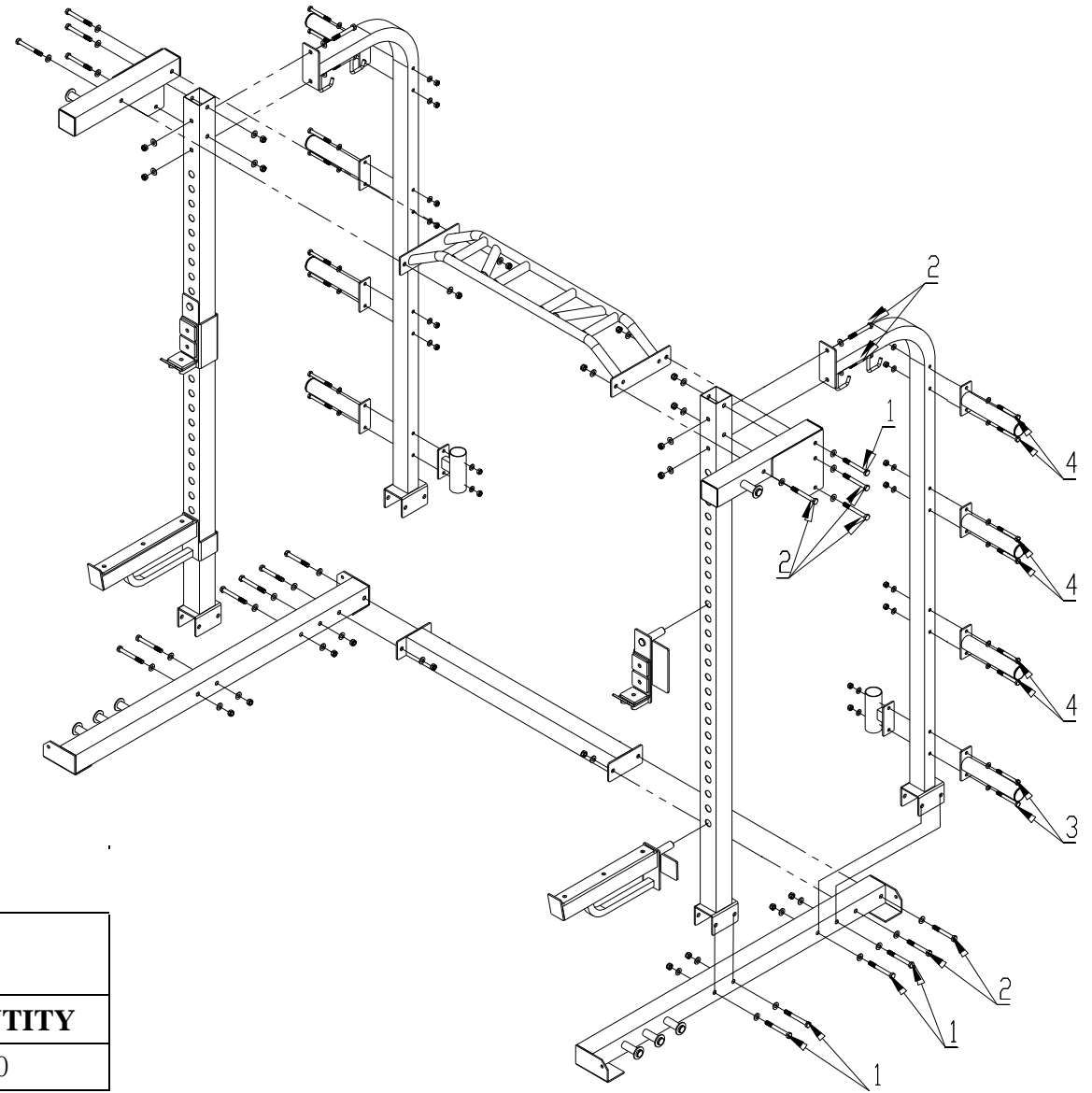
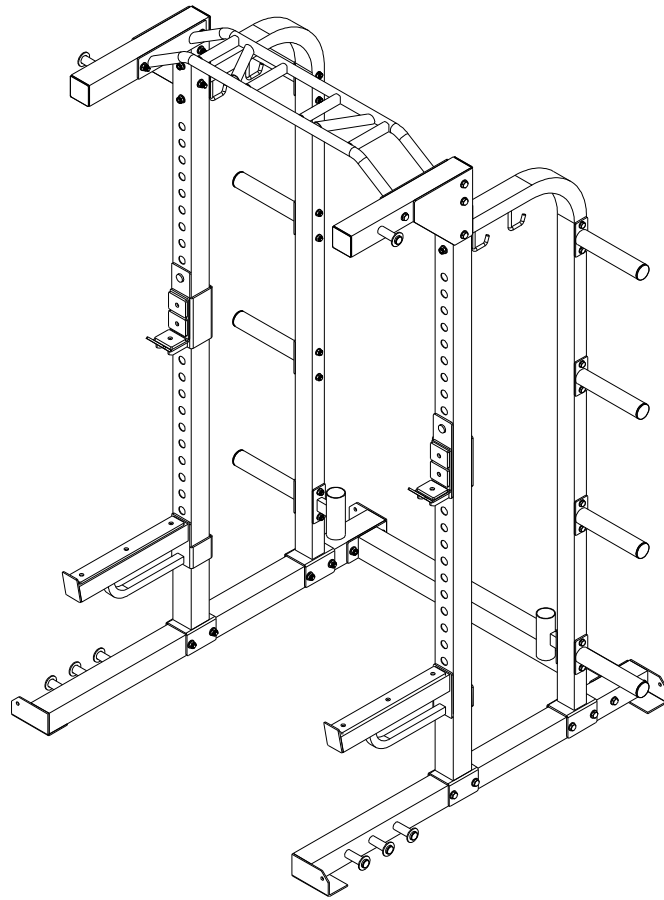
WLX3400



Cod: GRLDTOORXWLX3400

Rev : 00

Ed : 04/20



PART LIST

NUMBER	DESCRIPTION	QUANTITY
1	BOLT M12*105 + TWO WASHERS + NUT	10
2	BOLT M12*95 + TWO WASHERS + NUT	14
3	BOLT M10*95 + TWO WASHERS + NUT	4
4	BOLT M10*90 + TWO WASHERS + NUT	12



GARLANDO SPA
Via Regione Piemonte, 32 - Zona Industriale D1
15068 - Pozzolo Formigaro (AL) - Italy
www.toorx.it - info@toorx.it