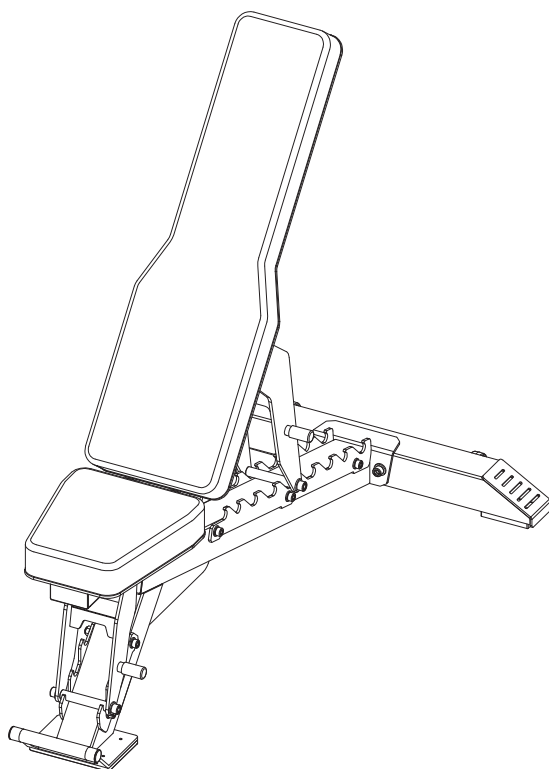


**TOORX**  
PROFESSIONAL LINE

# INSTRUCTION



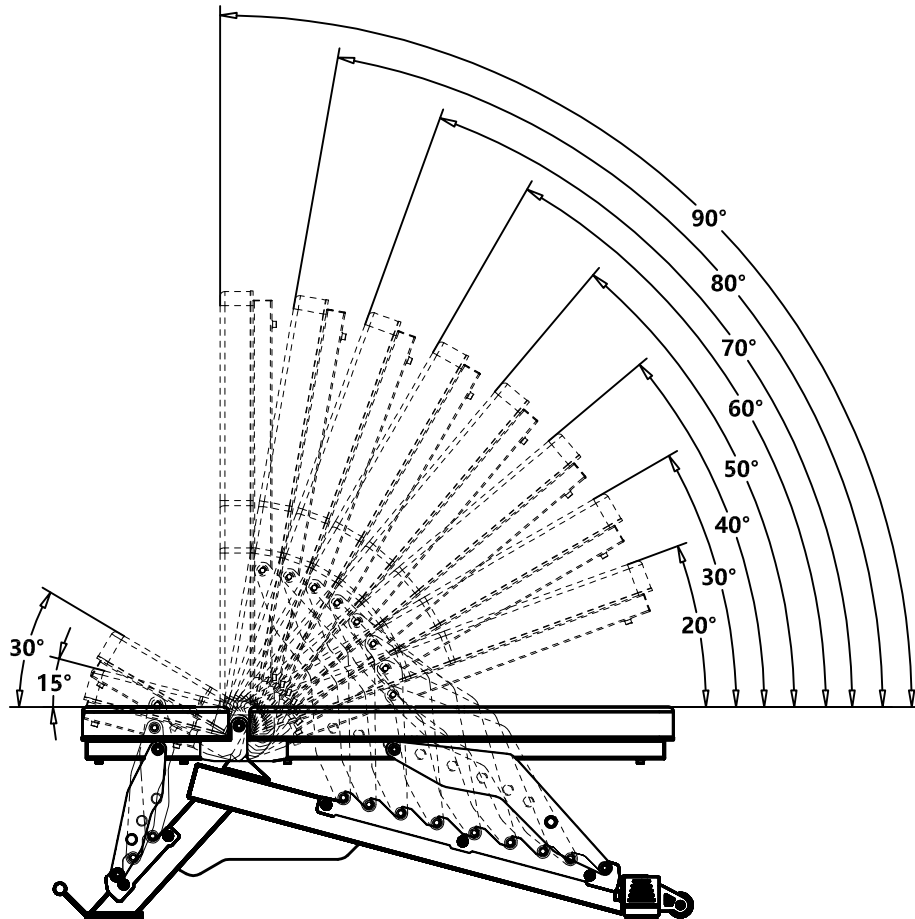
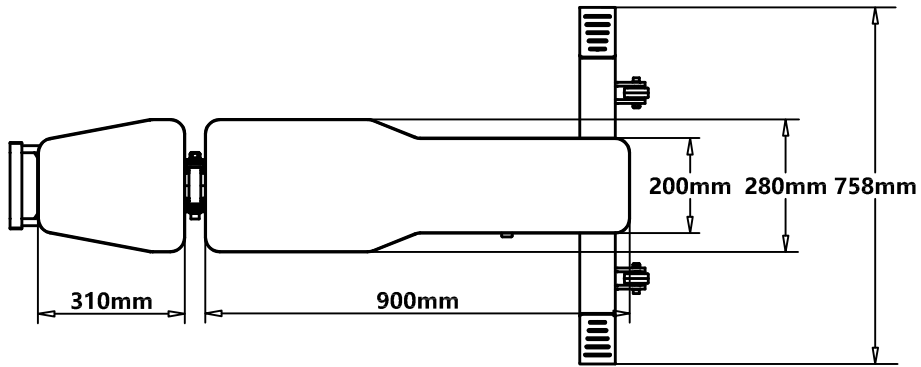
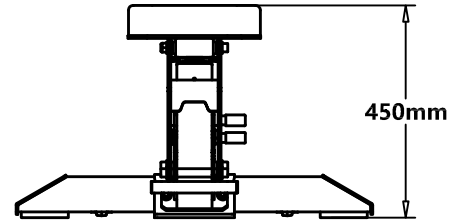
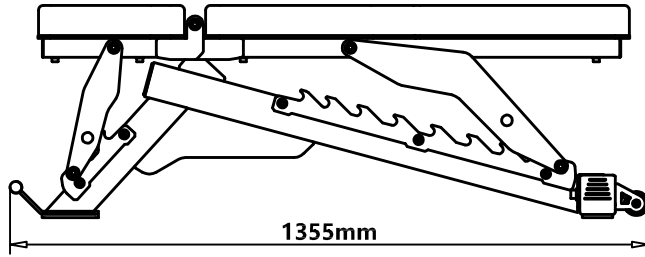
# WBX950

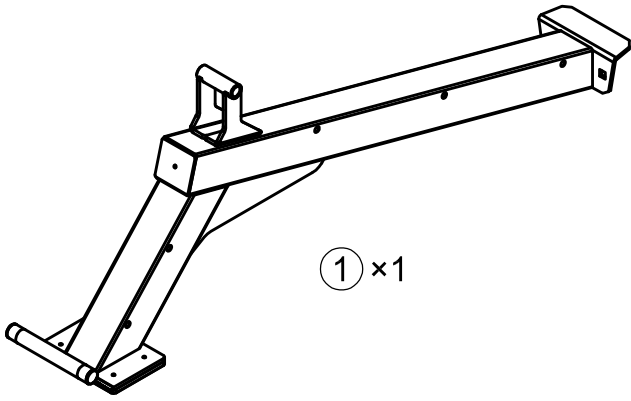


Cod : GRLDTOORXWBX950

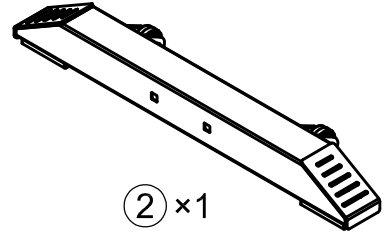
Rev : 00

Ed : 12/23

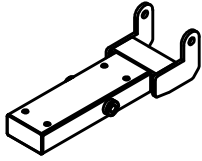




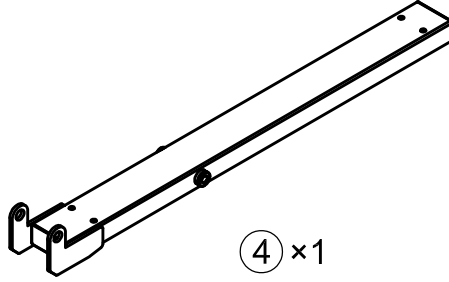
① × 1



② × 1



③ × 1



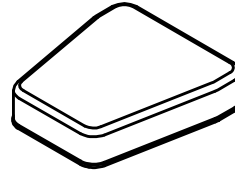
④ × 1



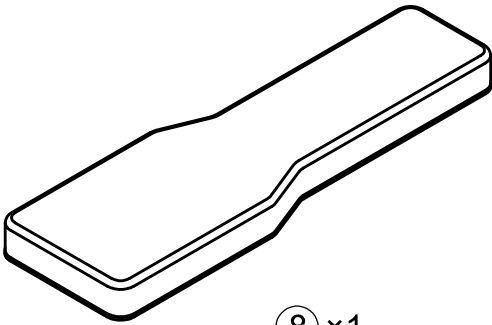
⑤ × 1



⑥ × 1



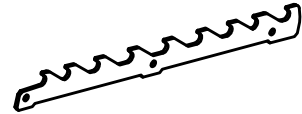
⑦ × 1



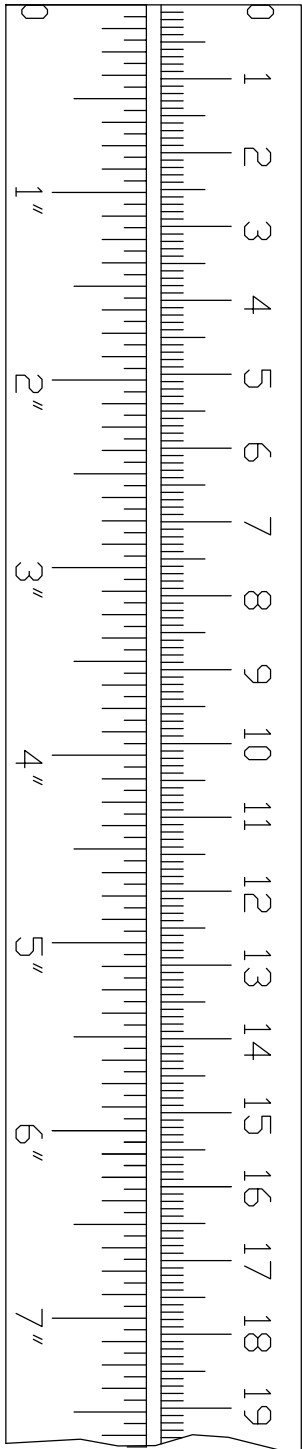
⑧ × 1



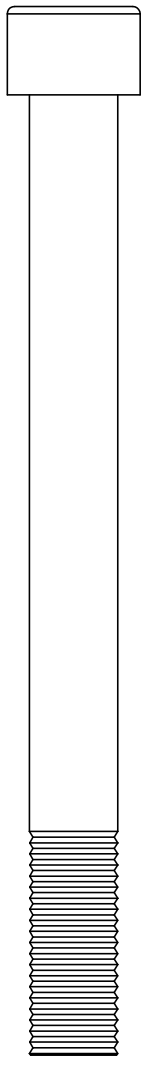
⑨ × 2



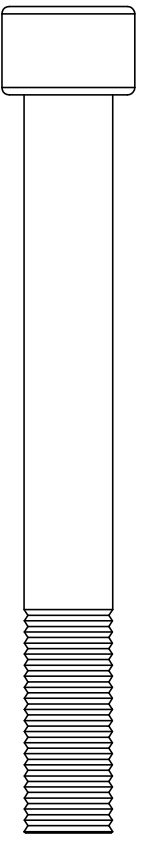
⑩ × 2



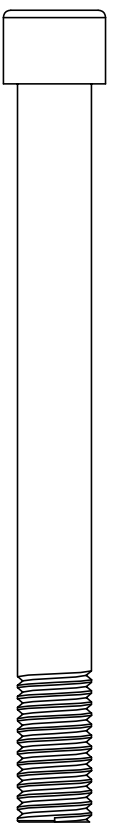
mm



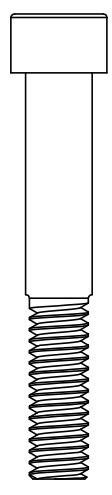
②1 × 1



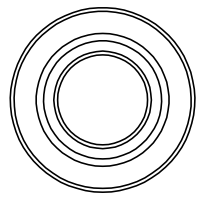
②2 × 2



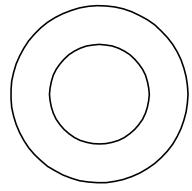
②4 × 5



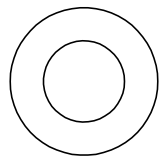
②5 × 8



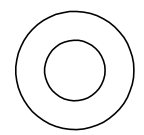
②0 × 6



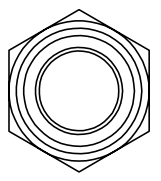
③0 × 4



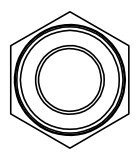
②9 × 10



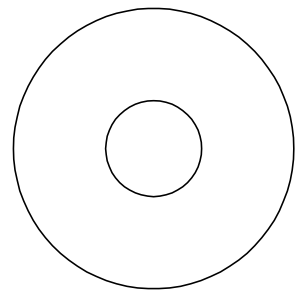
②8 × 8



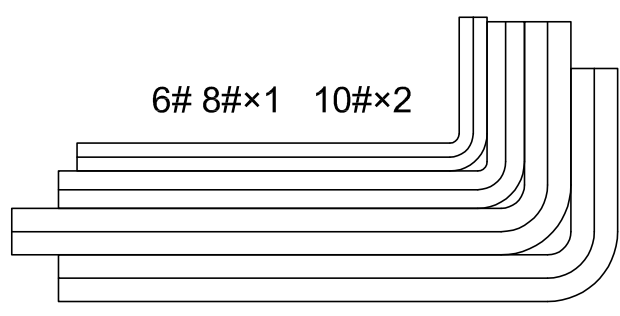
③3 × 3



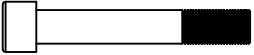


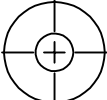
③2 × 5

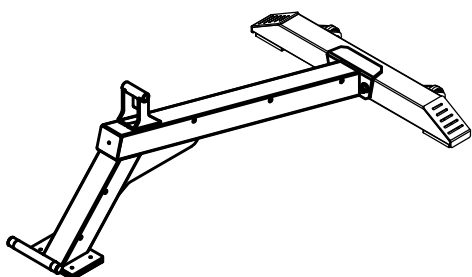
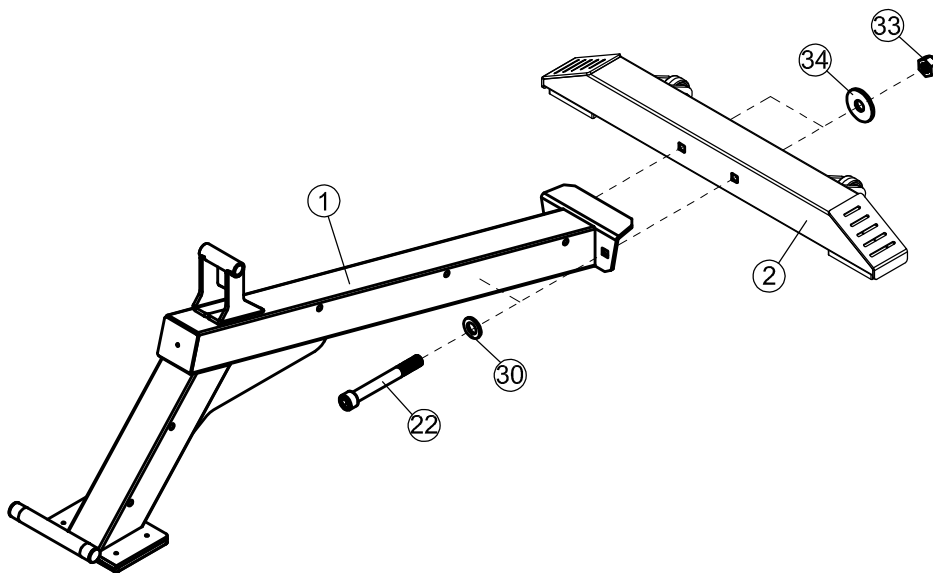
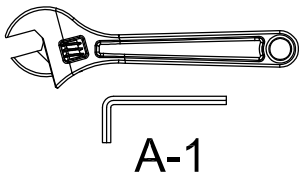


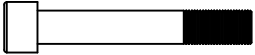


③4 × 2

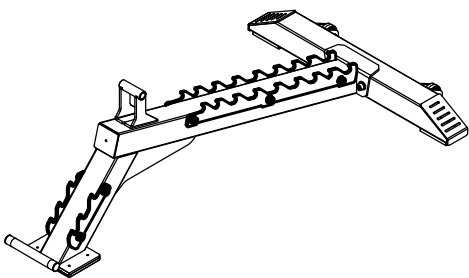
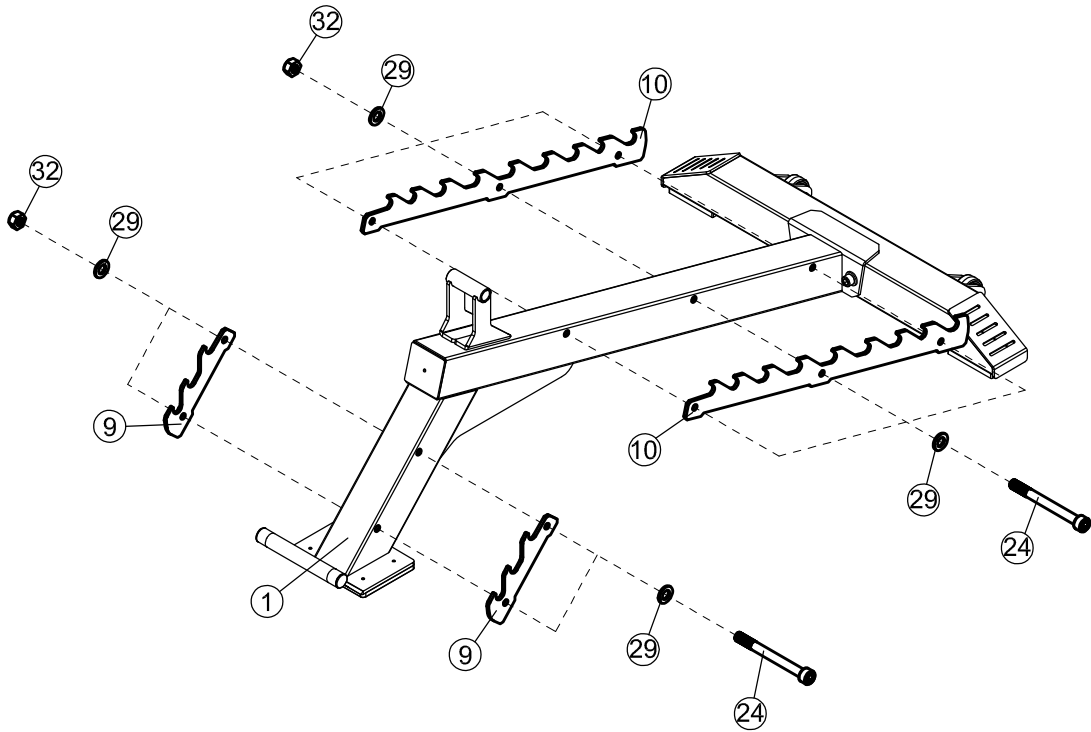
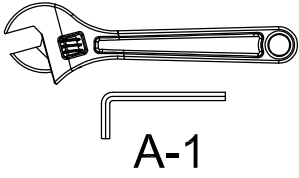


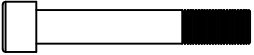



6# 8# × 1 10# × 2

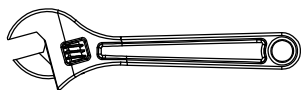
- |    |   |    |           |    |   |    |           |
|----|---|----|-----------|----|---|----|-----------|
| ②② |  | x2 | M12×100mm | ③③ |  | x2 | M12       |
| ③① |  | x2 | Φ24×Φ13mm | ③④ |   | x2 | Φ38×Φ13mm |



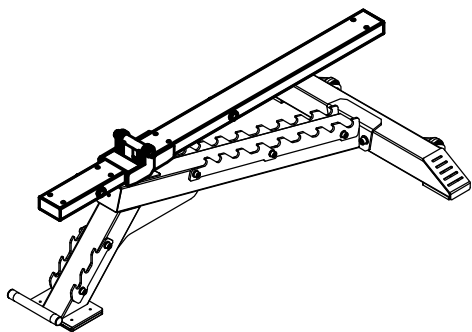
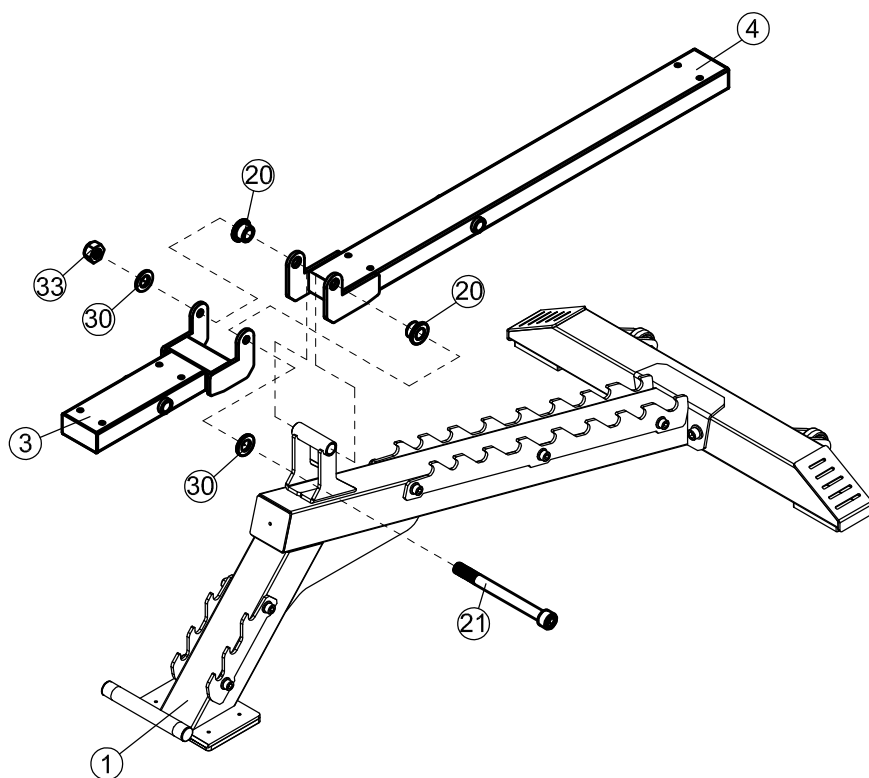
24		x5	M10x100mm
29		x10	Φ20xΦ11mm
32		x5	M10

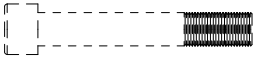

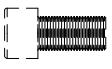





- 21  ×1 M12×130mm    33  ×1 M12  
 30  ×2  $\Phi 24 \times \Phi 13 \text{mm}$     20  ×2  $\Phi 25 \times \Phi 18 \times \Phi 12.2 \times 13$



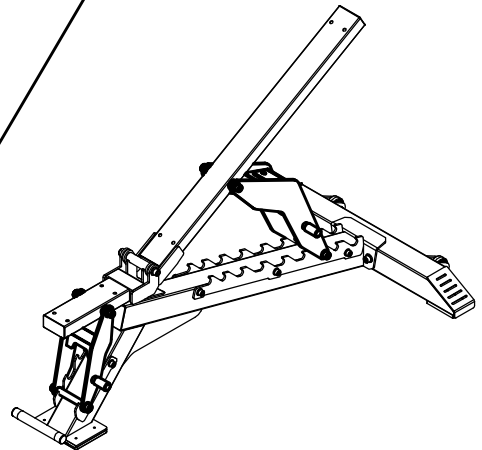
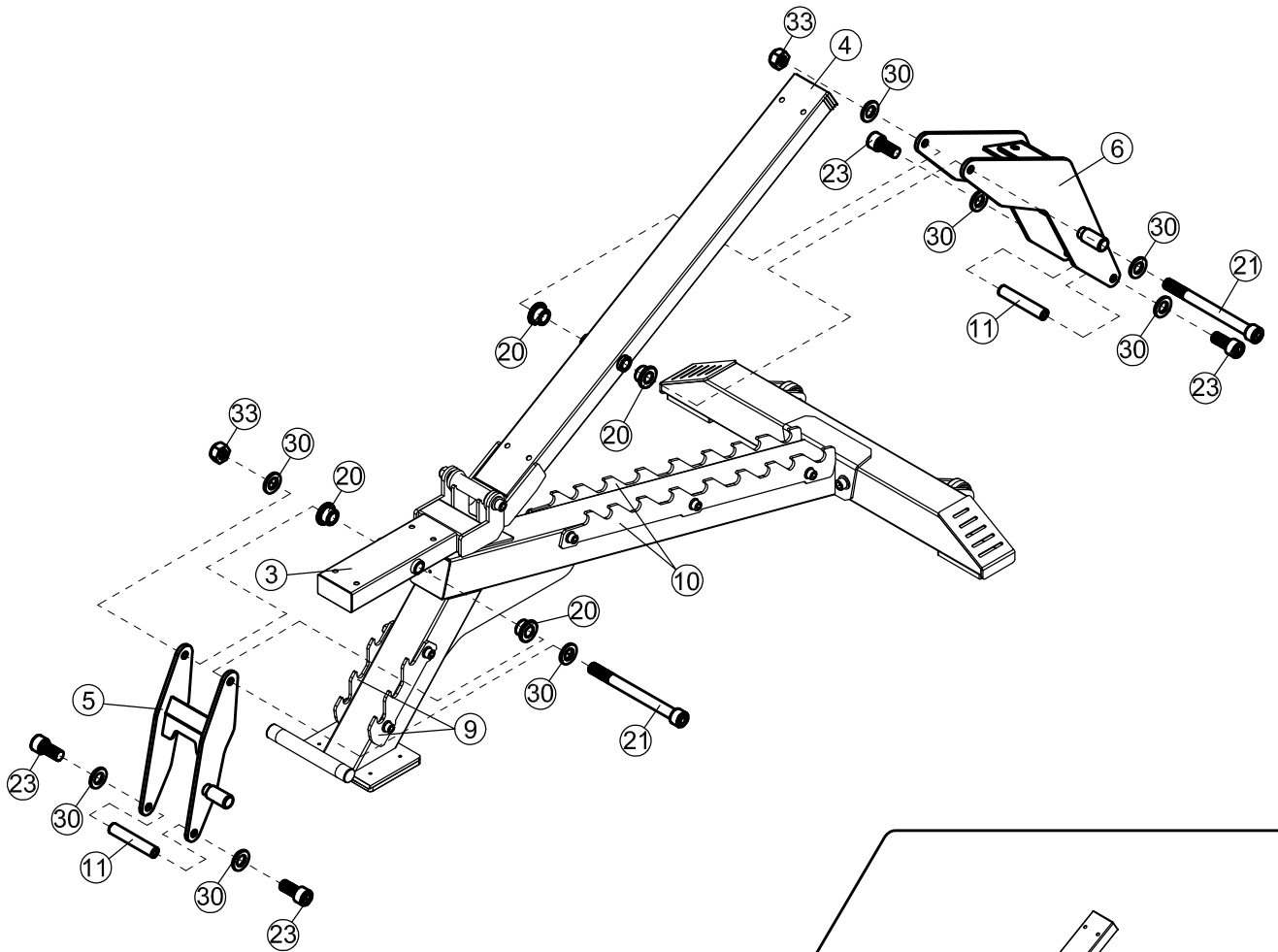
A-1



- |    |   |    |                  |    |   |    |           |
|----|---|----|------------------|----|---|----|-----------|
| 21 |  | x2 | M12x130mm        | 30 |  | x8 | Φ24xΦ13mm |
| 23 |  | x4 | M12x25mm         | 33 |  | x2 | M12       |
| 20 |  | x4 | Φ25xΦ18xΦ12.2x13 |    |   |    |           |
| 11 |  | x2 | Φ18x100          |    |   |    |           |



A-1





25



×8

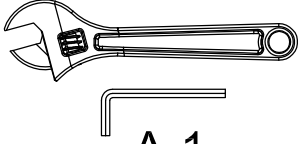
M8×55mm

28

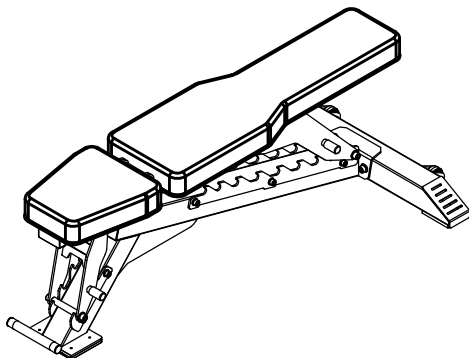
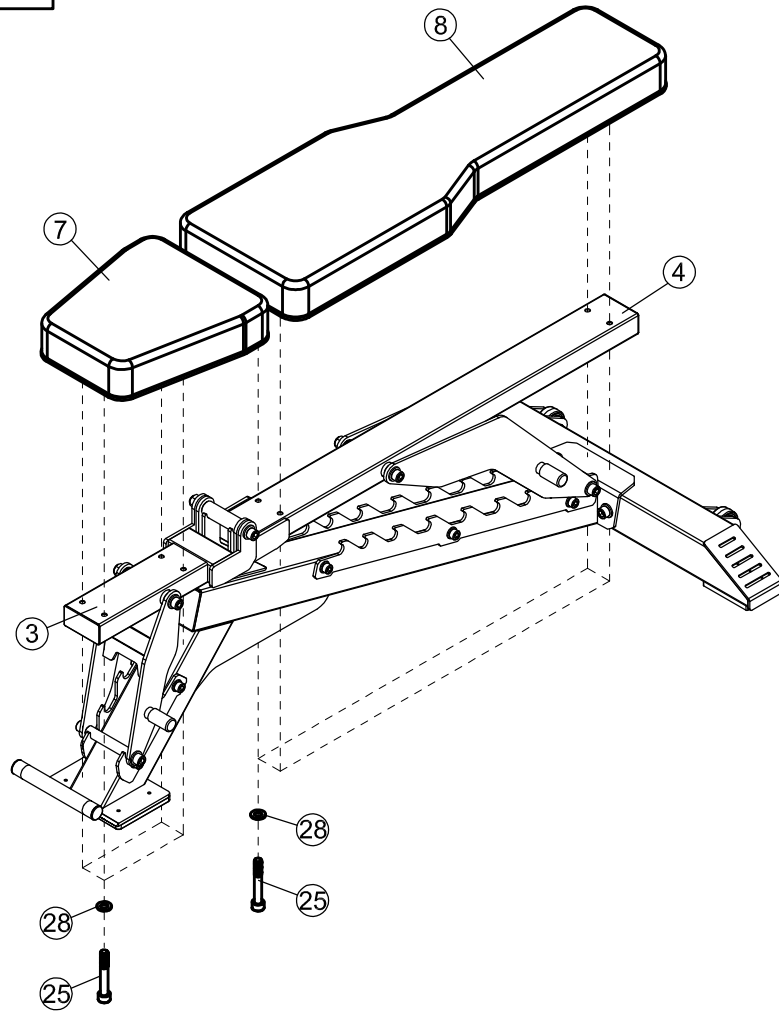


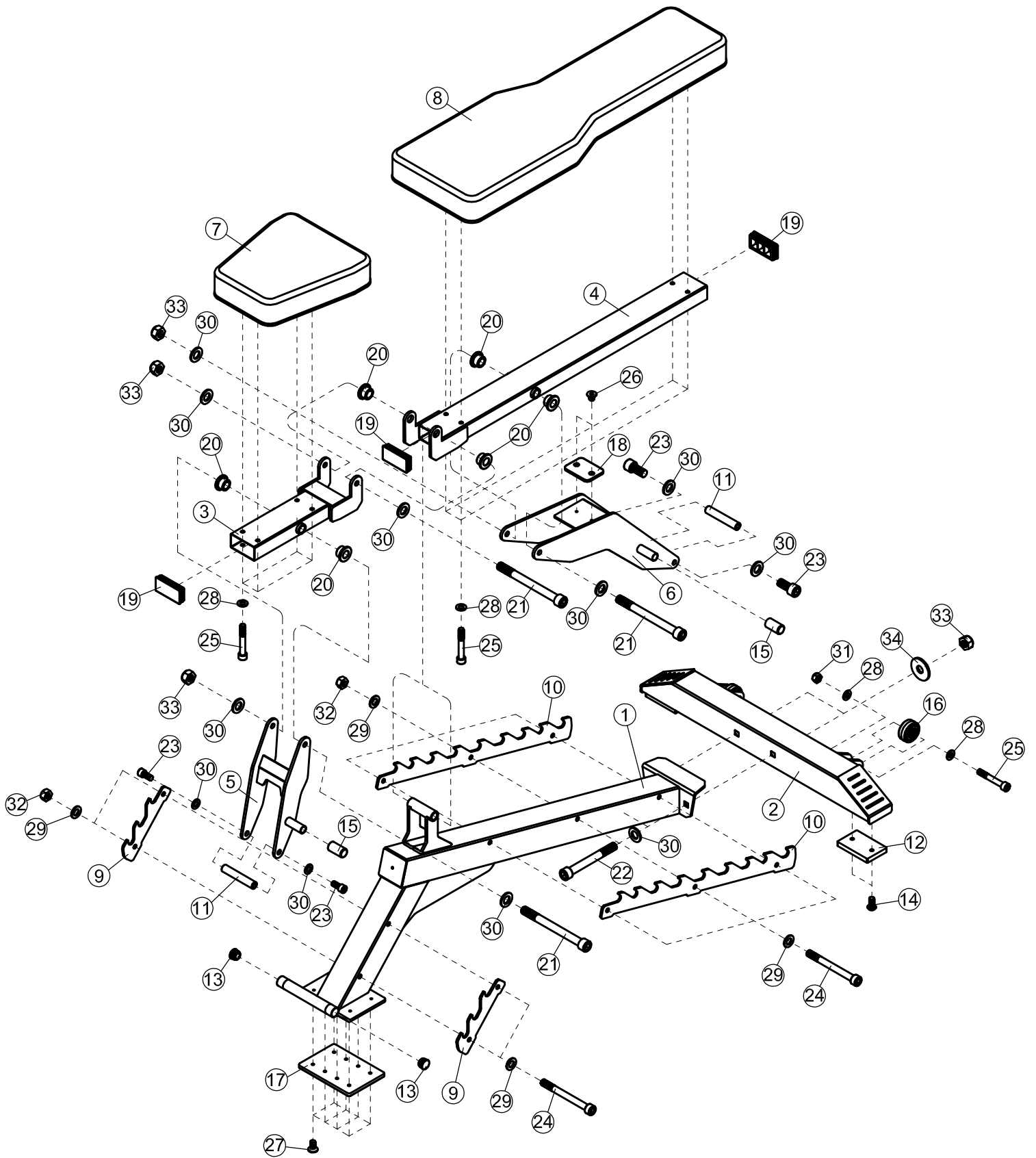
×8

Φ16×Φ8.2mm



A-1





## PARTS LIST

KEY NO.	PART DESCRIPTION	SPEC	QTY
1	Base Frame		1
2	Rear Stabilizer		1
3	Seat Pad Frame		1
4	Backrest Board Frame		1
5	Seat Support		1
6	Backrest Adjustment Support		1
7	Seat Pad	310×280×190×70	1
8	Backrest Board	900×280×200×70	1
9	Adjusting plate		2
10	Adjusting plate		2
11	Axle	Φ18×100	2
12	Rubber Stopper	65×100×12	2
13	Rectangular End Cap	Φ25	2
14	Allen Bolt	M8×16	4
15	Tube End Cap	φ19×42	2
16	Wheel	φ50×28	2
17	Floor End Cap	170×120×8	1
18	Rack Liner	75×75×5	1
19	Rectangular End Cap	□80×40	3
20	Bushing bush	Φ25×Φ18×Φ12.2×13	6
21	Hexagon socket button head screws	M12×130	3
22	Hexagon socket button head screws	M12×100	2
23	Hexagon socket button head screws	M12×25	4
24	Hexagon socket button head screws	M10×100	5
25	Hexagon socket button head screws	M8×55	10
26	Hex socket counter sunk head screw	M6×10	2
27	Hex socket counter sunk head screw	M6×12	8
28	Washer	8	12
29	Washer	10	10
30	Washer	12	12
31	Aircraft Nut	M8	2
32	Aircraft Nut	M10	5
33	Aircraft Nut	M12	5
34	Washer	φ38×φ13×3	2
	Allen Wrench	6#	1
	Allen Wrench	8#	1
	Allen Wrench	10#	2



GARLANDO SPA  
Via Regione Piemonte, 32 - Zona Industriale D1  
15068 - Pozzolo Formigaro (AL) - Italy  
[www.toorx.it](http://www.toorx.it) - [info@toorx.it](mailto:info@toorx.it)