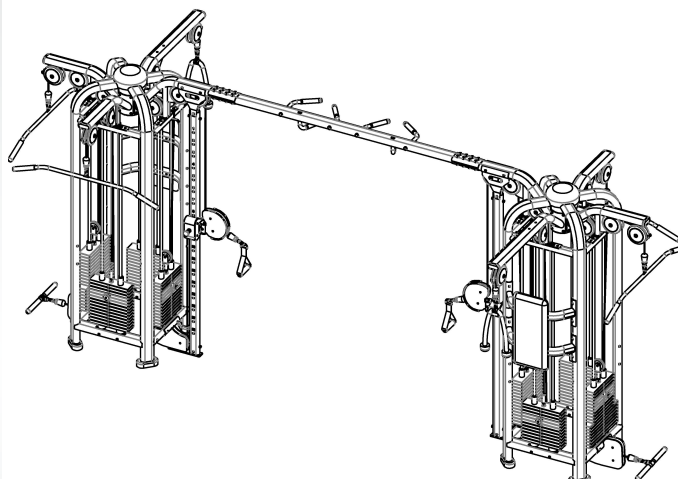


TOORX
PROFESSIONAL LINE

INSTRUCTION



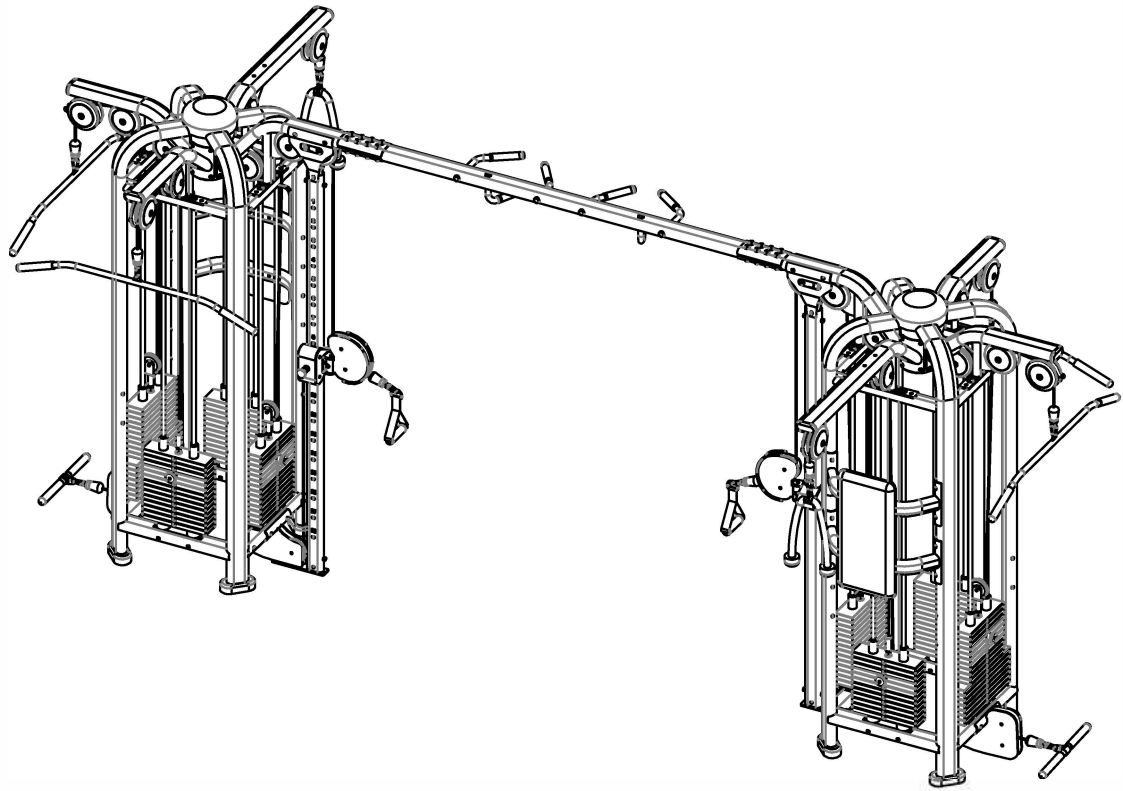
CSX9300



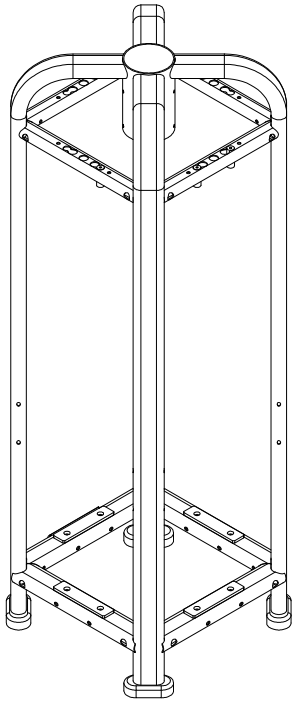
Cod : GRLDTOORXC SX9300

Rev : 00

Ed : 03/25



Assembly Components - 1



1 (2pz)



2 (16pz)



3 (2pz)



4 (16pz)



5 (8pz)



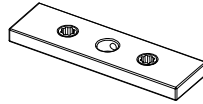
6 (4pz)



7 (16pz)



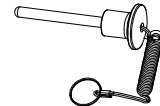
8 (8pz)



9 (88pz)



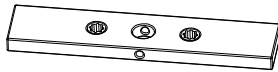
10 (8pz)



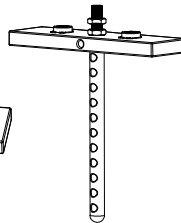
11 (8pz)



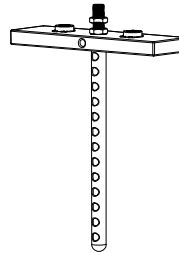
12 (4pz)



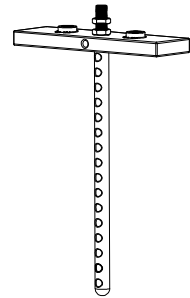
13 (14pz)



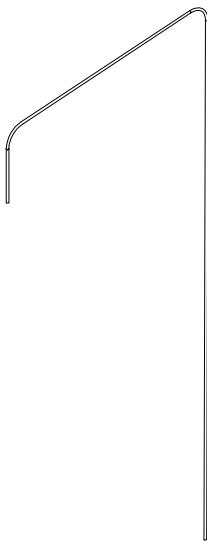
14 (4pz)



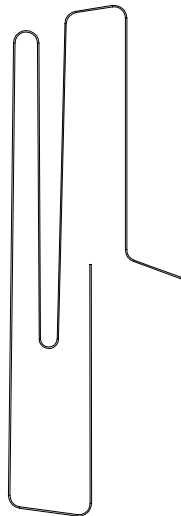
15 (2pz)



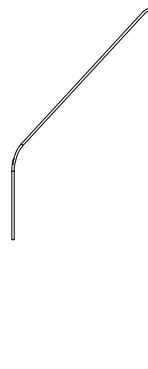
16 (2pz)



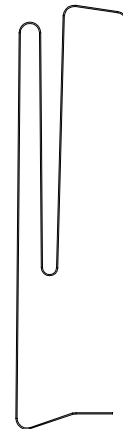
17 (2pz)



18 (2pz)



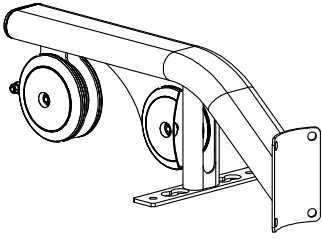
19 (2pz)



20 (2pz)



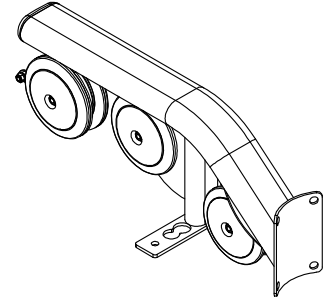
Assembly Components - 2



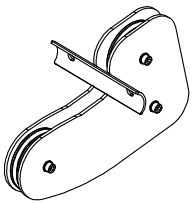
22 (2pz)



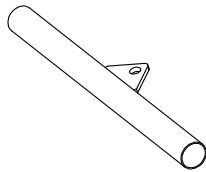
23 (4pz)



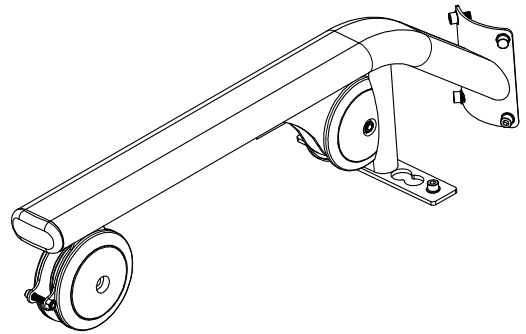
24 (2pz)



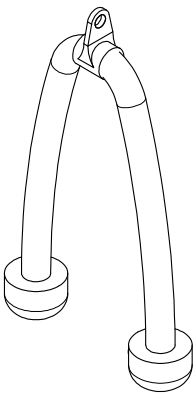
25 (2pz)



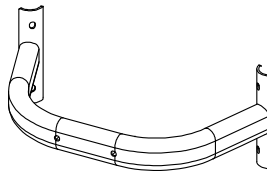
26 (2pz)



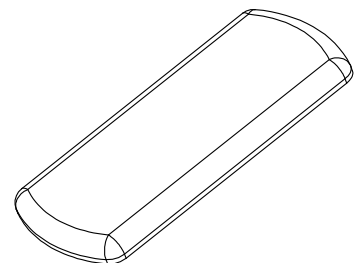
27 (2pz)



28 (2pz)



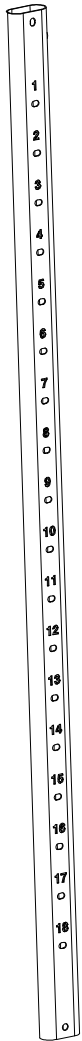
29 (4pz)



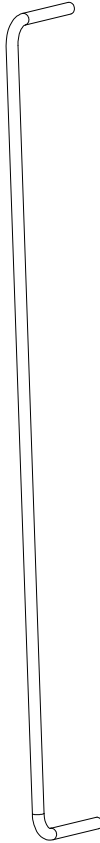
30 (2pz)



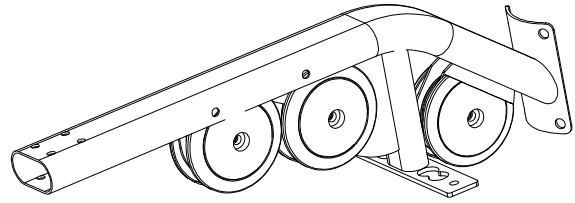
Assembly Components - 3



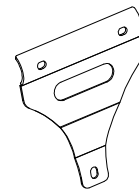
31 (2pz)



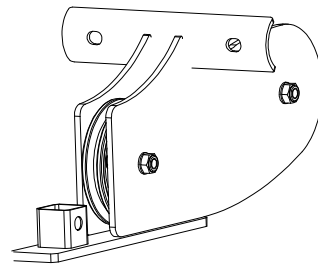
69 (4pz)



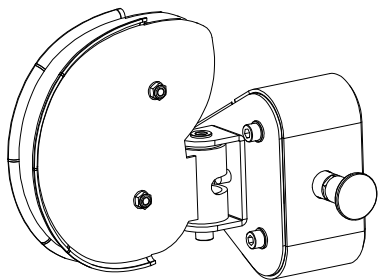
32 (2pz)



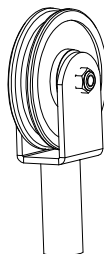
33 (4pz)



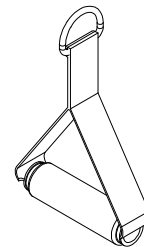
34 (2pz)



35 (2pz)



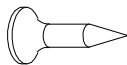
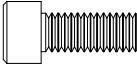
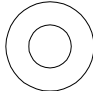
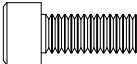

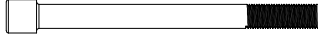
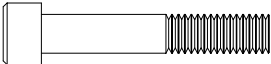
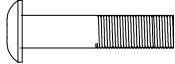
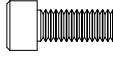
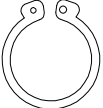


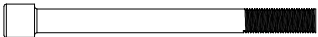

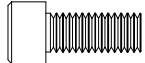

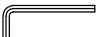
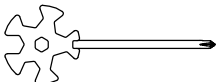


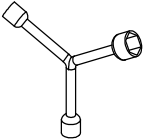
36 (2pz)



37 (2pz)



Assembly Tools (scale 1:1)-1

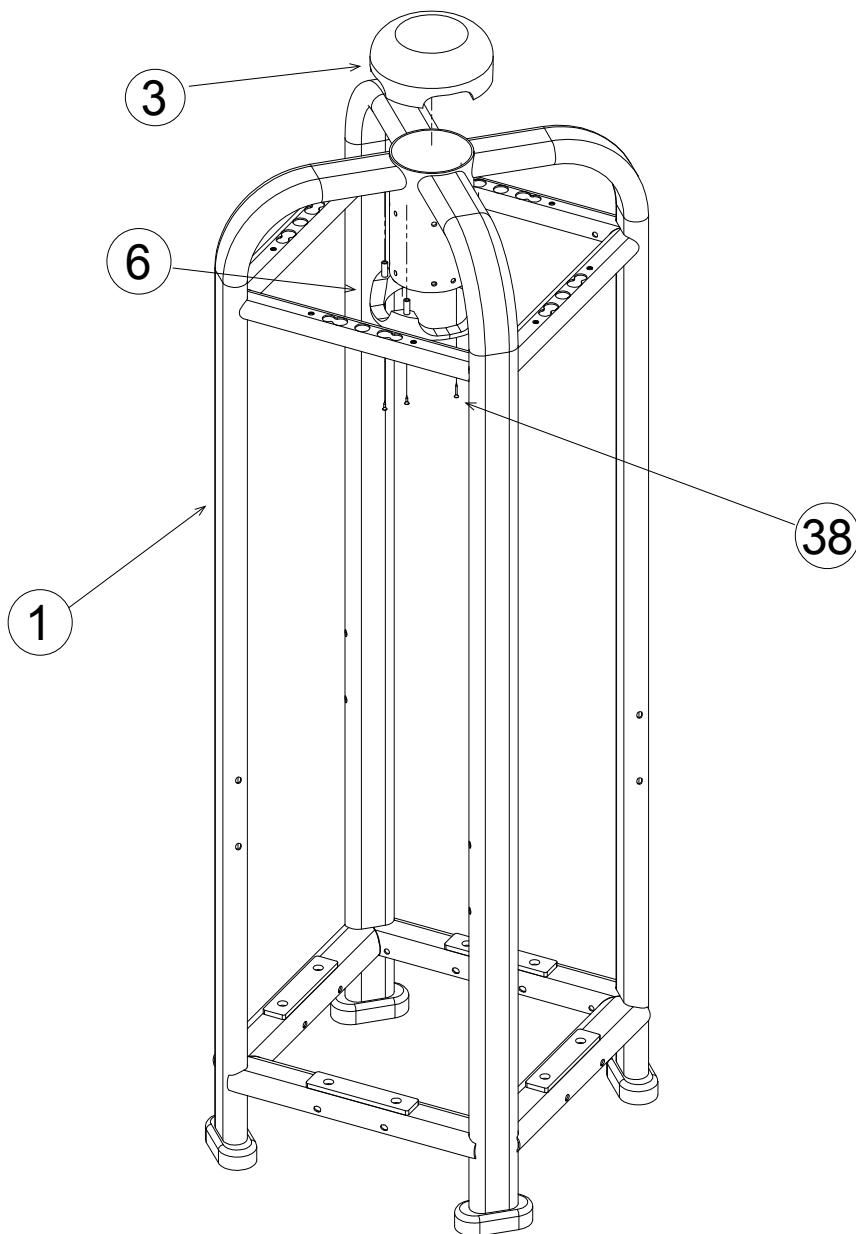
 <p>38 Phillips.Screw M5x35 mm (8pz)</p>	 <p>39 Socket Head Bolt M10x25 mm (32pz)</p>	 <p>40 Washer 10 mm (104pz)</p>
 <p>41 Socket Head Bolt M10x20 mm (16pz)</p>	 <p>42 LockNut M10 (48pz)</p>	 <p>43 Socket Head Bolt M10x120 mm (24pz)</p>
 <p>44 Socket Head Bolt M10x65 mm (2pz)</p>	 <p>45 Dome Head Bolt M8x60 mm (24pz)</p>	 <p>46 Socket Head Bolt M8x25 mm (8pz)</p>
 <p>47 Circlip 25 mm (16pz)</p>	 <p>48 Washer 8 mm (8pz)</p>	 <p>49 Jack Screw M8x10 mm (32pz)</p>
 <p>50 Socket Head Bolt M10x130 mm (4pz)</p>	 <p>51 Socket Head Bolt M10x55 mm (2pz)</p>	 <p>70 Socket Head Bolt M10x30 mm (8pz)</p>
		
		



STEP 1

P.N.	Description	Qty
1	Frame for 4 stations	1
3	Top cover cap	1

P.N.	Description	Qty
6	Upper insert	1
50	Phillips. Screw M5x35 mm	4



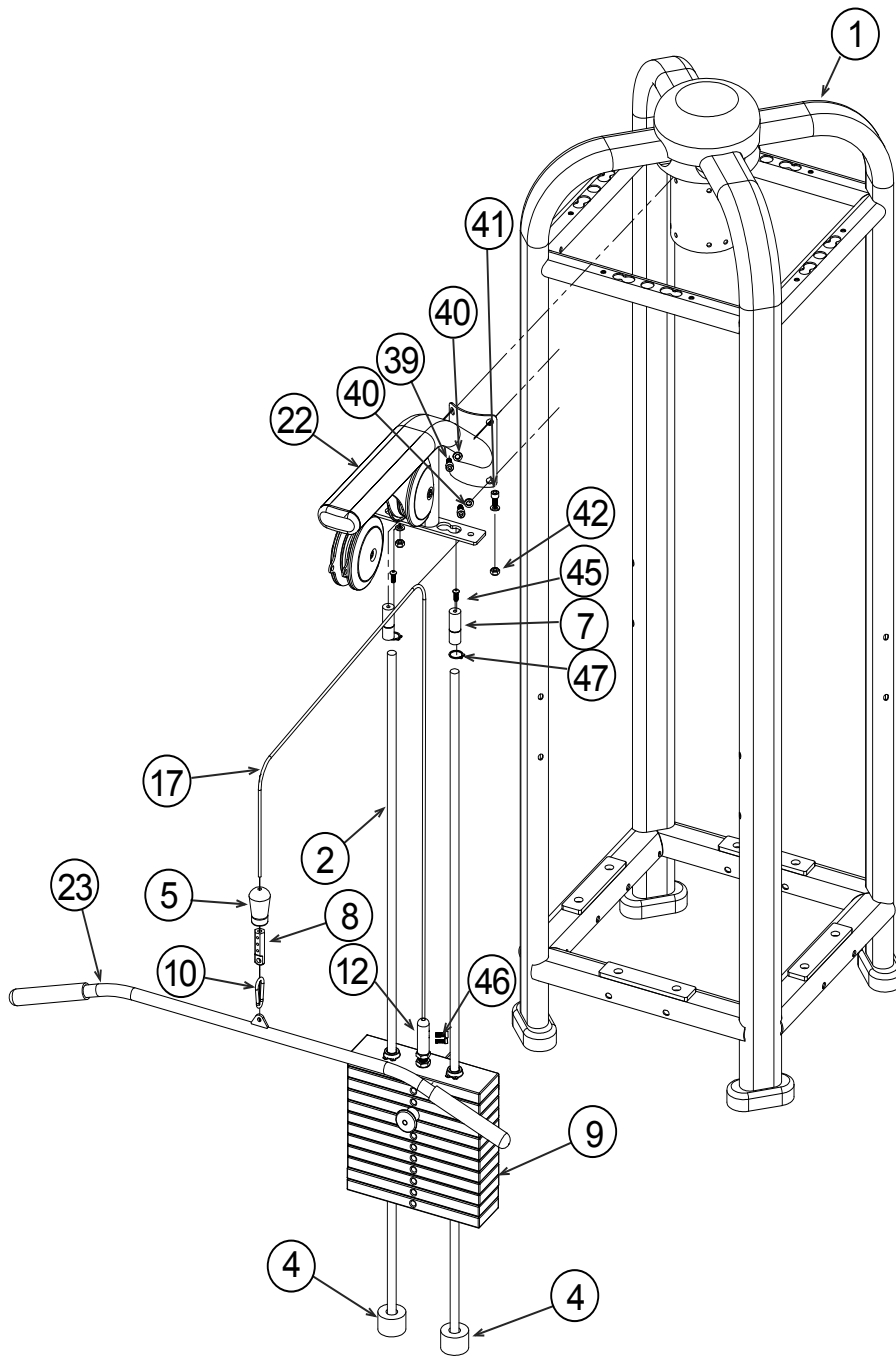
ASSEMBLY OF SUPPORTING STRUCTURE



STEP 2

P.N.	Description	Qty
1	Frame for 4 stations	1
2	Weight Stack Guide	2
4	Rubber Bumper for Weight Stack	2
5	Conical Limit Stop for Steel Cable	1
7	Attachment Guide Fixing Cylinder	2
8	Terminal Fitting for Steel Cable	1
10	Carabiner	1
12	Cable Fixing Clamp	1
17	Cable for Lat Pull Down	1

P.N.	Description	Qty
22	Cantilevered Upper Beam 1	1
23	Accessory: Lat Bar	1
39	Socket Head Bolt M10x25 mm	4
40	Washer 10 mm	6
41	Socket Head Bolt M10x20 mm	2
42	Lock Nut M10	2
45	Dome Head Bolt M8x60 mm	2
46	Socket Head Bolt M8x25 mm	2
47	Circlip 25 mm	2



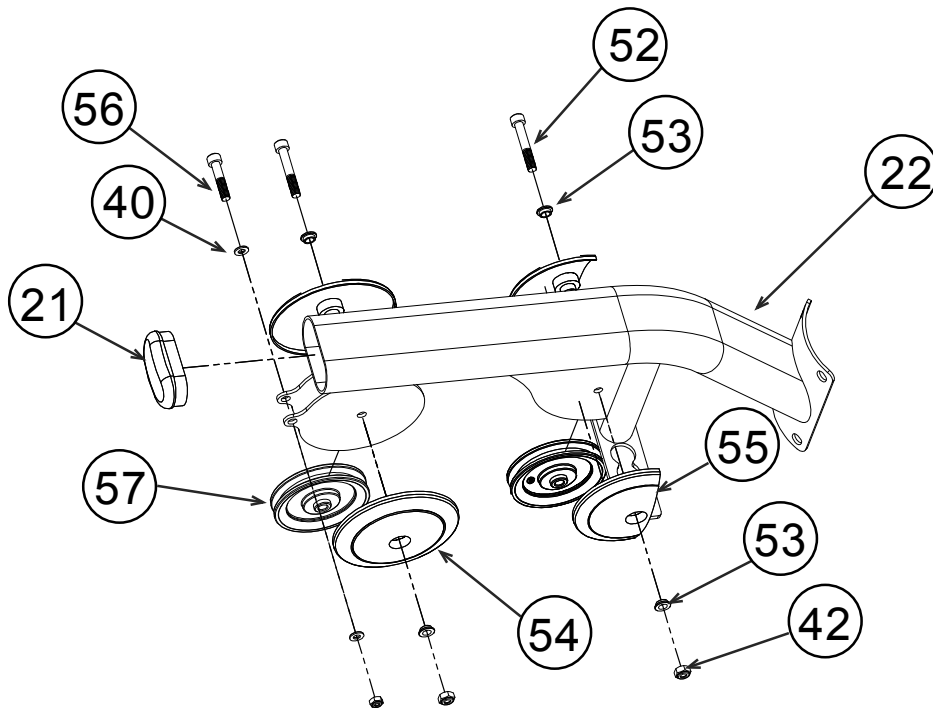
ASSEMBLY OF LAT PULL-DOWN STATION



STEP 3

P.N.	Description	Qty
21	Oval cap 50x100x2.5mm	1
22	Cantilever upper beam 1	1
42	LockNut M10	3
40	Washer 10 mm	2
52	Socket Head Bolt M10x65 mm	2

P.N.	Description	Qty
53	Bushing	4
54	Pulley cover 1	2
55	Pulley cover 3	2
56	Socket Head Bolt M10x45 mm	1
57	Pulley Ø110 mm	2

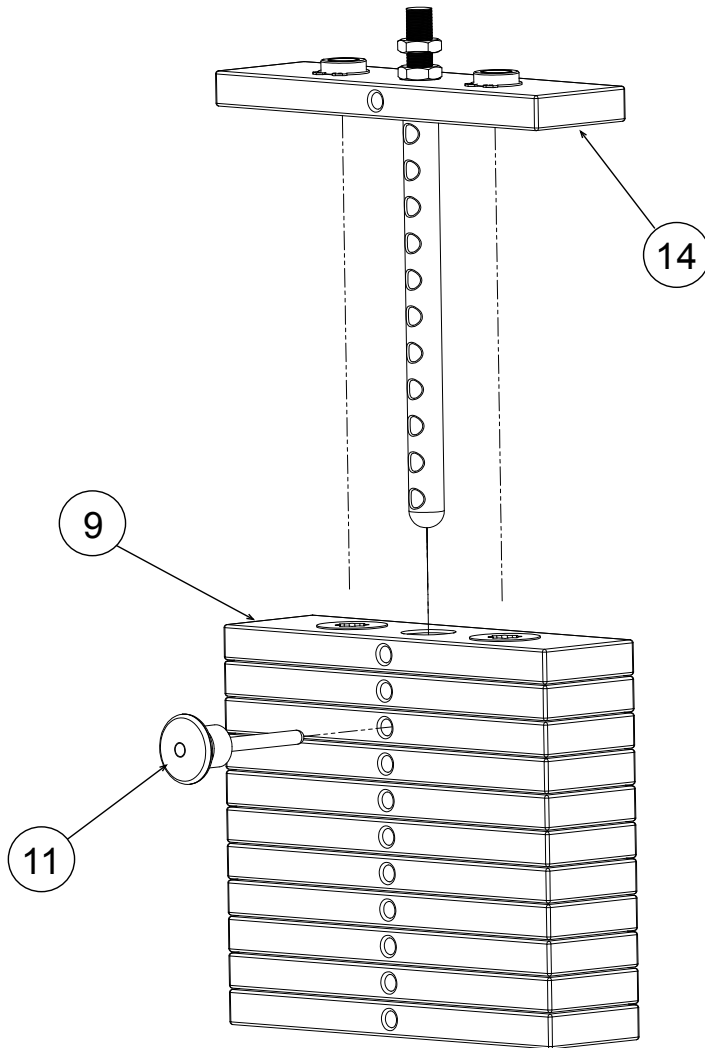


CANTILEVER BEAM ASSEMBLY I (PULL DOWN STATION I)



STEP 4

P.N.	Description	Qty
9	weight plat 5 kg	11
11	Weight selector pin	1
14	5kg base plate with weight selector rod	1



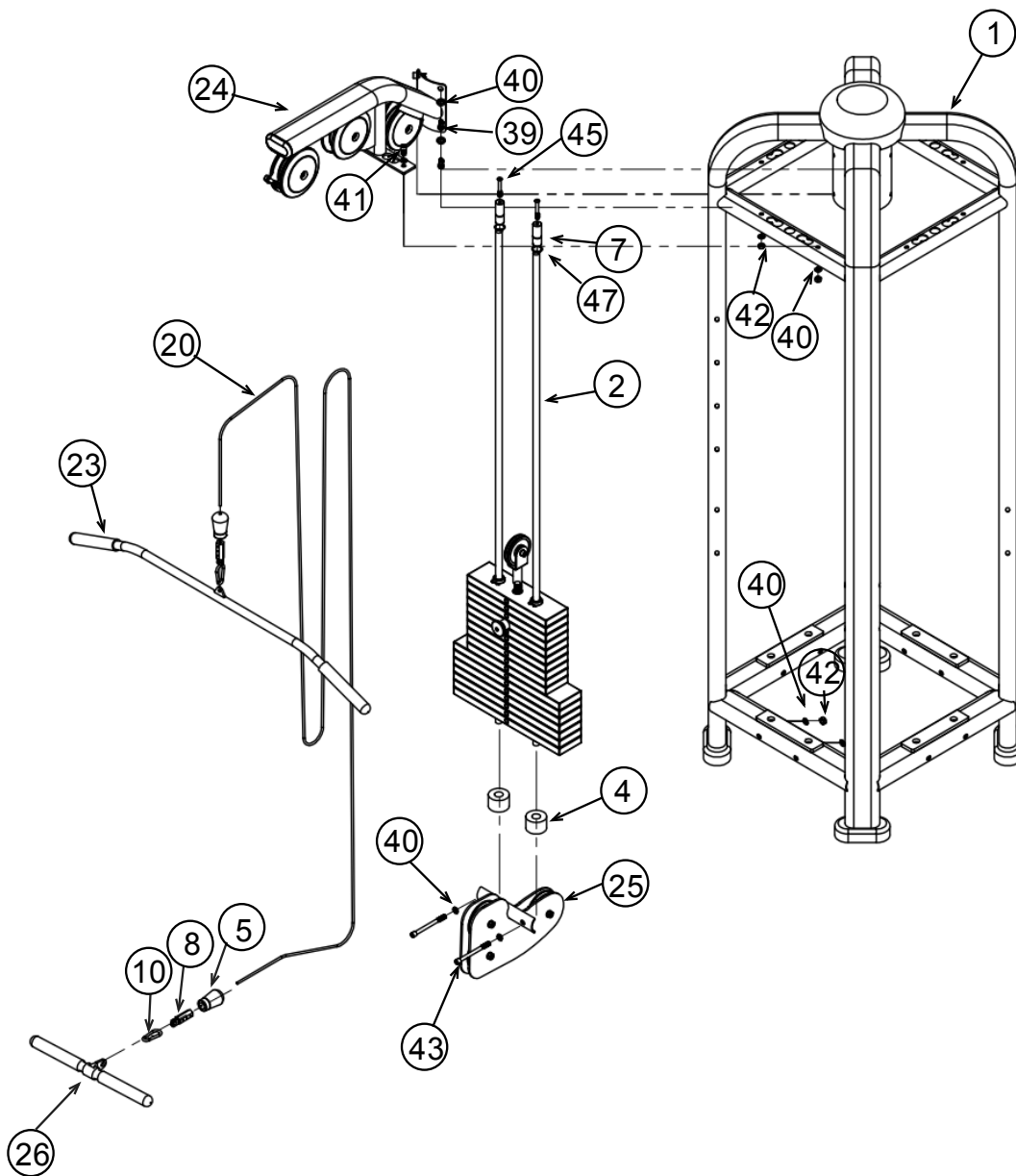
WEIGHT STACK ASSEMBLY FOR LAT PULL DOWN STATION



STEP 5

P.N.	Description	Qty
1	Frame for 4 stations	1
2	Weight Stack Guide	2
4	Rubber Bumper for Weight Stack	2
5	Conical Limit Stop for Steel Cable	2
7	Attachment Guide Fixing Cylinder	2
8	Terminal Fitting for Steel Cable	2
10	Carabiner	2
20	Cable For Pull Up & Pull Down	1
23	Accessory: Lat Bar	1
24	Overhanging Upper Beam 2	1

P.N.	Description	Qty
25	Lower Pulley Holder for Pull-Up	1
26	Accessory: Short Bar	1
39	Socket Head Bolt M10x25 mm	4
40	Washer Ø10 mm	10
41	Socket Head Bolt M10x20 mm	2
42	Lock Nut M10	4
43	Socket Head Bolt M10x120 mm	2
45	Dome Head Bolt M8x60 mm	2
47	Circlip Ø25 mm	2



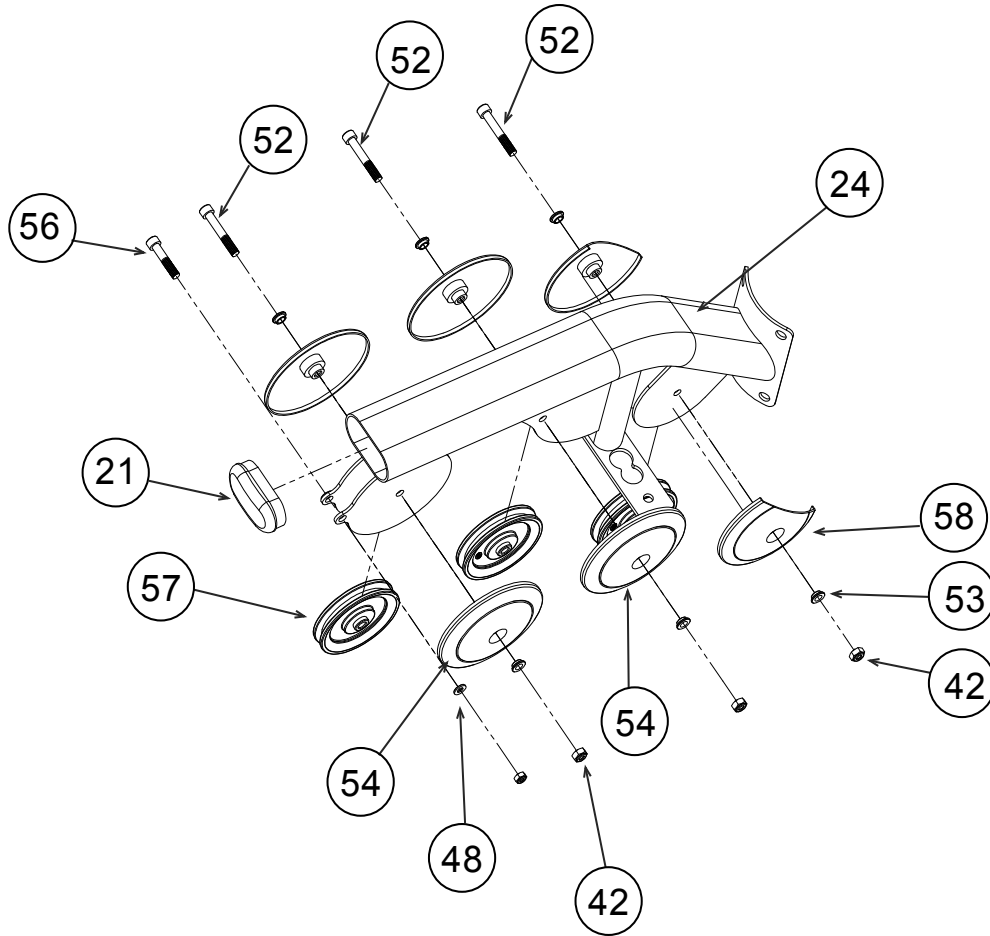
ASSEMBLY PULL UP & PULL DOWN STATION



STEP 6

P.N.	Description	Qty
21	Oval Cap 50x100x2.5 mm	1
24	Overhanging Upper Beam 2	1
42	Lock Nut M10	4
40	Washer Ø10 mm	2
52	Socket Head Bolt M10x65 mm	3

P.N.	Description	Qty
53	Bushing	6
54	Pulley Cover 1	4
56	Socket Head Bolt M10x45 mm	1
57	Pulley Ø110 mm	3
58	Pulley Cover 2	2



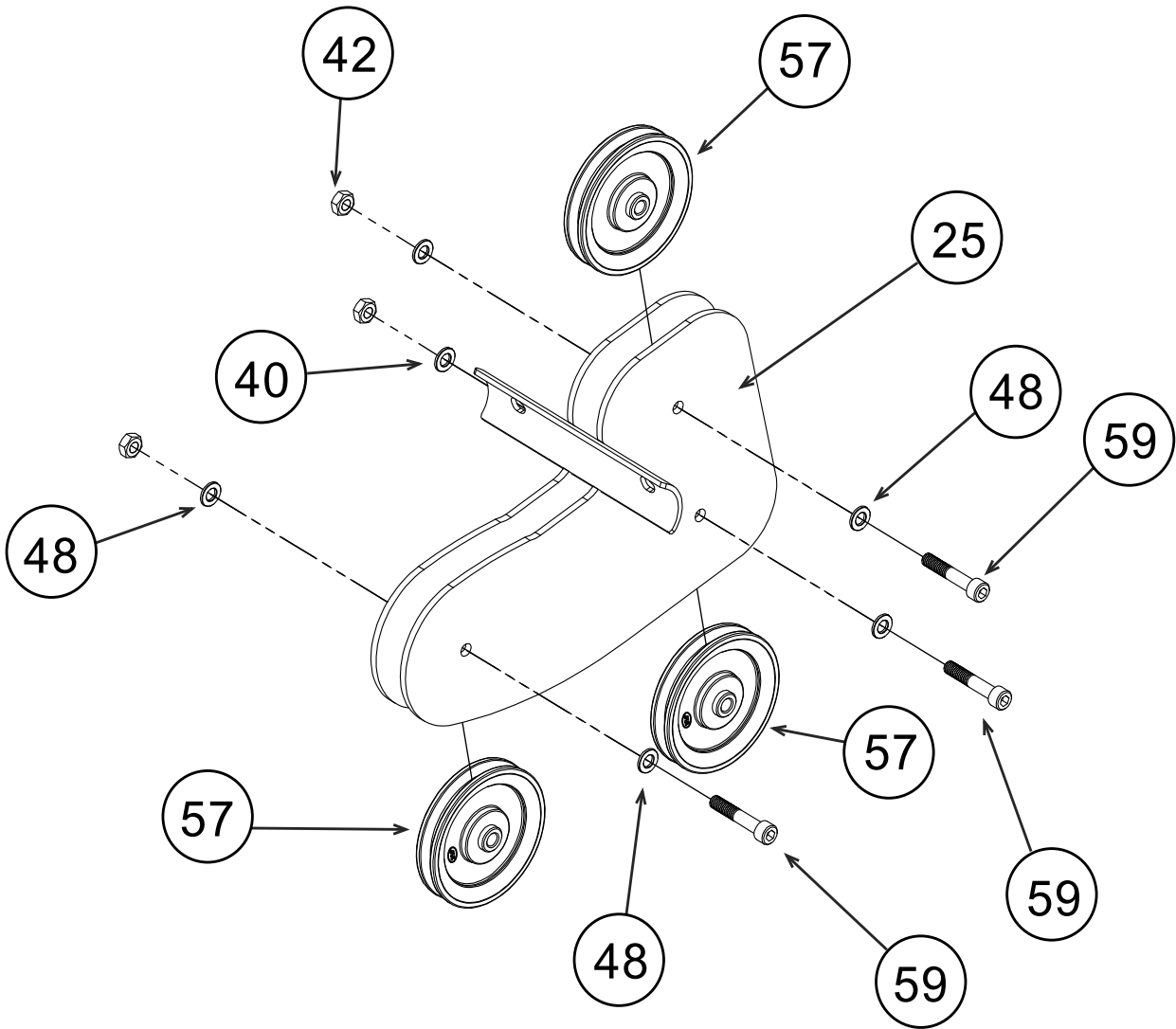
ASSEMBLY OVERHANGING BEAM 2 (PULL DOWN STATION 2)



STEP 7

P.N.	Description	Qty
25	Triple Pulley Holder	1
42	Lock Nut M10	3
40	Washer Ø10 mm	6

P.N.	Description	Qty
57	Pulley Ø110 mm	3
59	Socket Head Bolt M10x50 mm	3

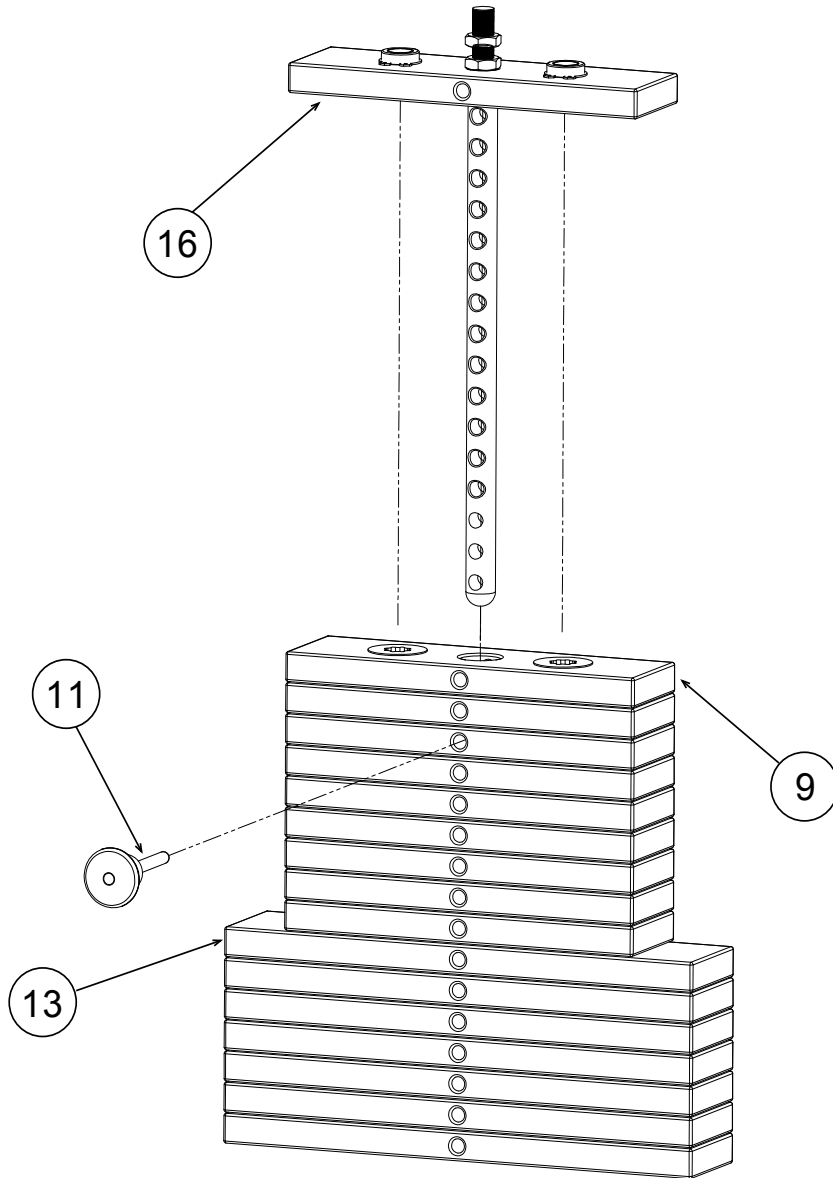


ASSEMBLY LOWER PULLEY HOLDER PULL UP STATION



STEP 8

P.N.	Description	Qty
9	5 kg Weight Plate	9
11	Weight Selector Pin	1
13	7.5 kg Weight Plate	7
16	Base Plate with Weight Selector Rod	1

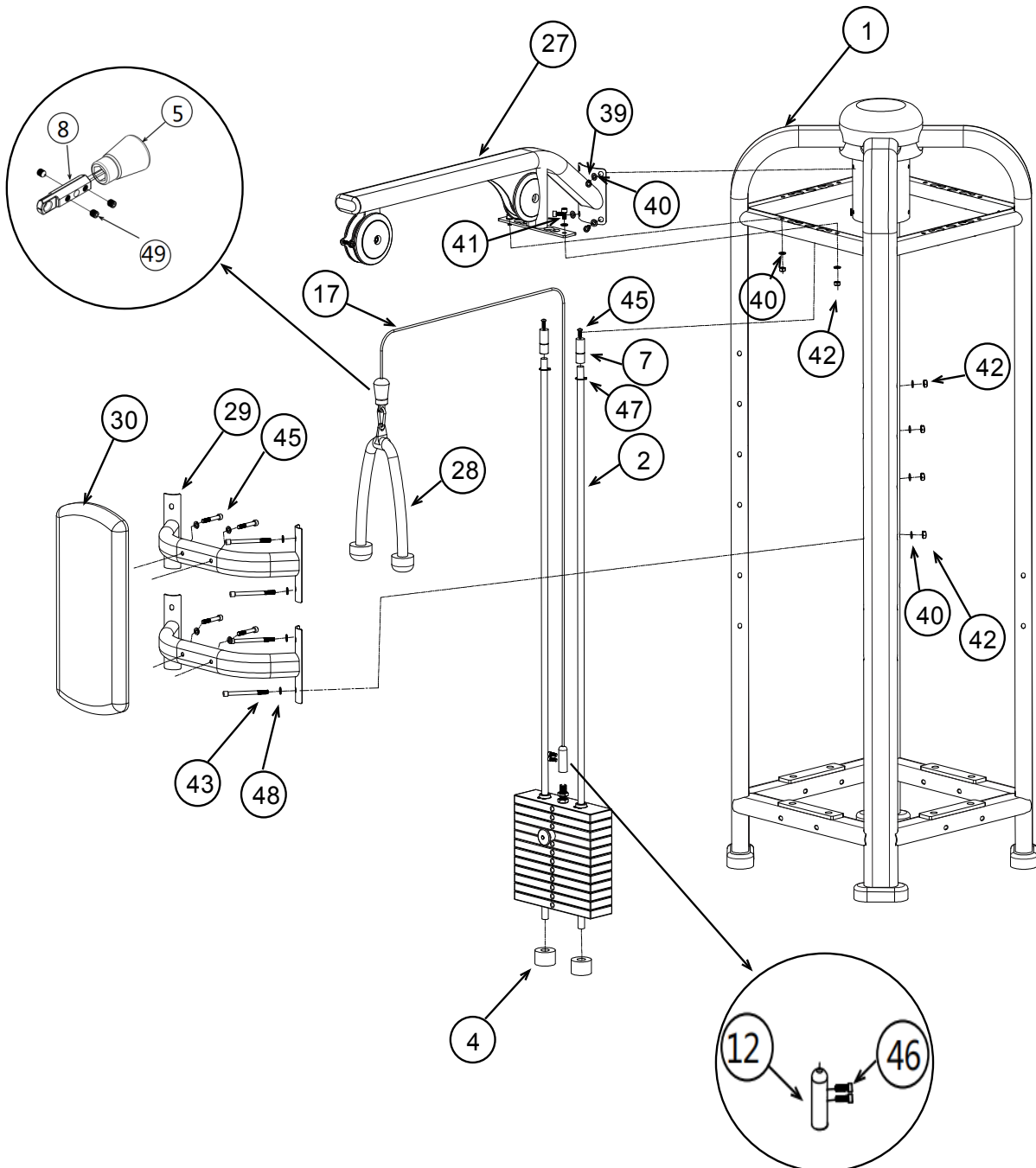


ASSEMBLY WEIGHT STACK FOR PULL UP & PULL DOWN STATION

STEP 9

P.N.	Description	Qty
1	Free-Standing Frame 4 Stations	1
2	Weight Stack Guide Rail	2
4	Rubber Bumper Base Weight Stack	2
5	Conical End Stop for Steel Cable Attachment	1
7	Alignment and Fixing Cylinder for Guides	2
8	Terminal Attachment for Steel Cable	1
10	Carabiner	1
12	Stopper Cylinder for Steel Cable	1
17	Steel Cable for Lat Pulldown	1
27	Overhanging Upper Tube for Pull Down	1
28	Accessory: Double Rope	1

P.N.	Description	Qty
29	Backrest Mounting Bar	2
30	Backrest	1
39	Socket Head Bolt M10x25 mm	4
40	Washer Ø10 mm	14
41	Socket Head Bolt M10x20 mm	2
42	LockNut M10	10
43	Socket Head Bolt M10x120 mm	8
45	Socket Head Cap Screw M8x60 mm	6
46	Socket Head Bolt M8x25 mm	2
47	Snap Ring Ø25 mm	2
48	Flat Washer Ø10 mm	8



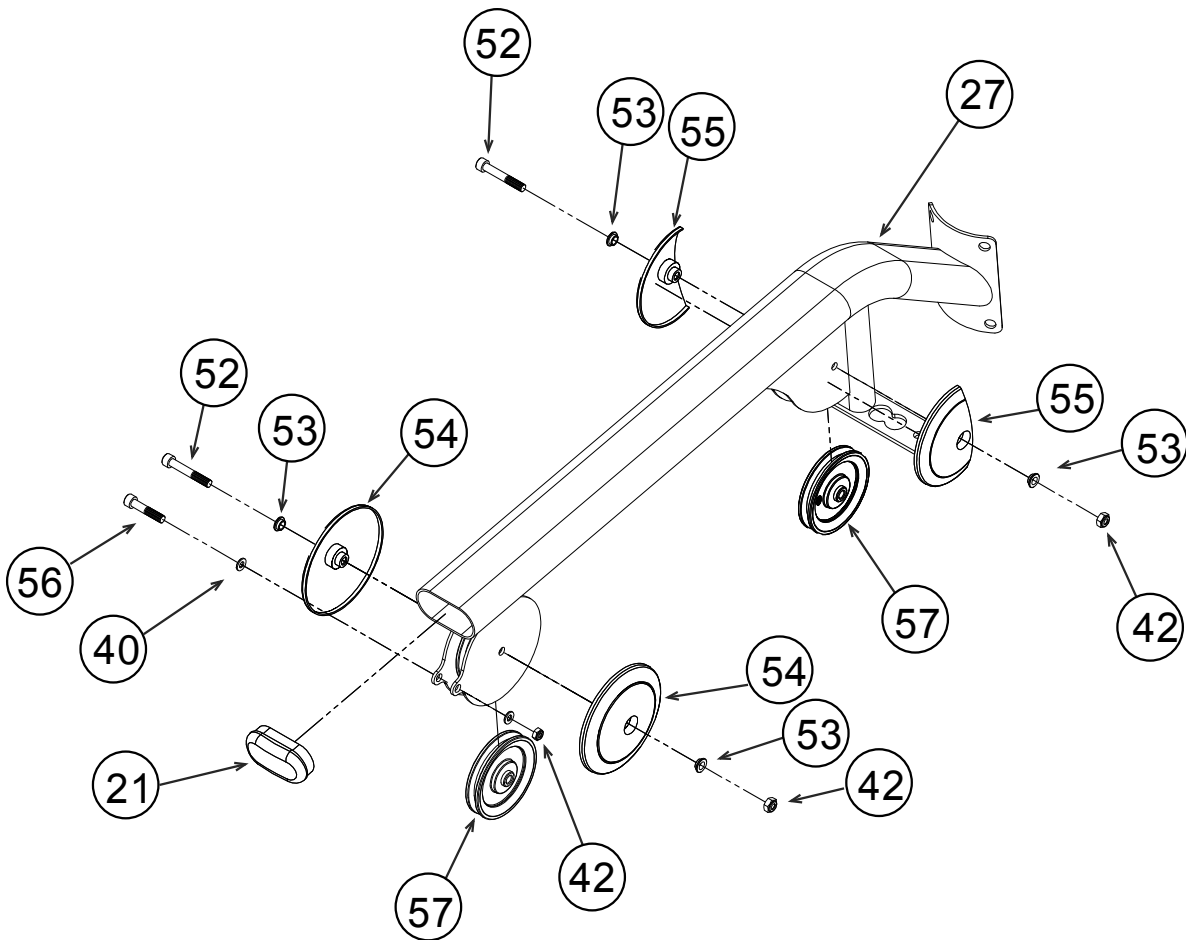
ASSEMBLY TRICEPS STATION



STEP 10

P.N.	Description	Qty
21	Oval Cap 50x100x2 mm	1
27	Overhanging Upper Beam 3	1
42	Lock Nut M10	3
40	Washer Ø10 mm	2
52	Socket Head Bolt M10x65 mm	2

P.N.	Description	Qty
53	Bushing	4
54	Pulley Cover 1	2
55	Pulley Cover 3	2
56	Socket Head Bolt M10x45 mm	1
57	Pulley Ø110 mm	2

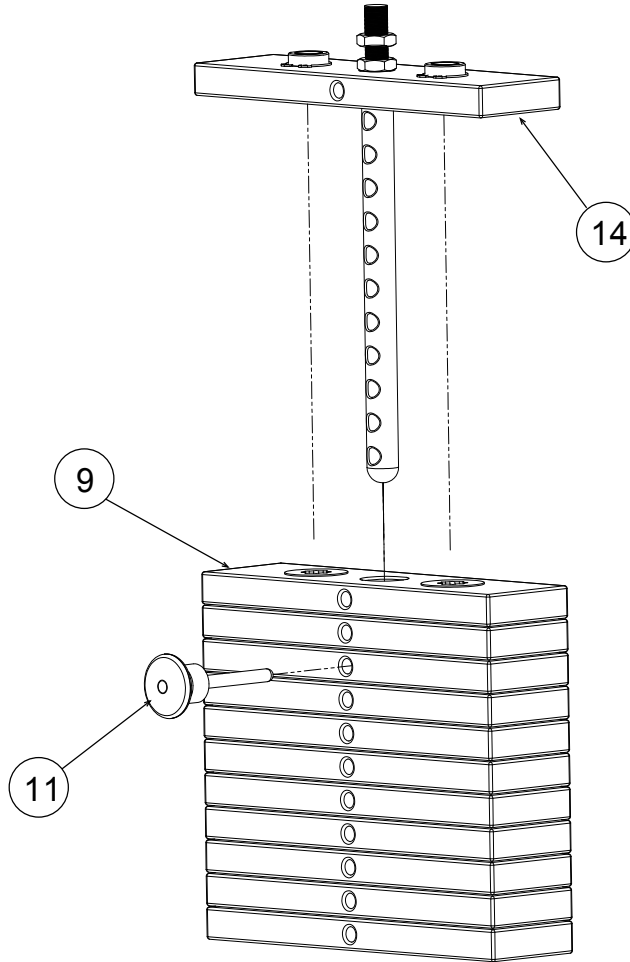


ASSEMBLY OVERHANGING BEAM 3 (TRICEPS STATION)



STEP 11

P.N.	Description	Qty
9	5 kg Weight Plate	11
11	Weight Selector Pin	1
14	Base plate 5 kg with weight selection rod	1



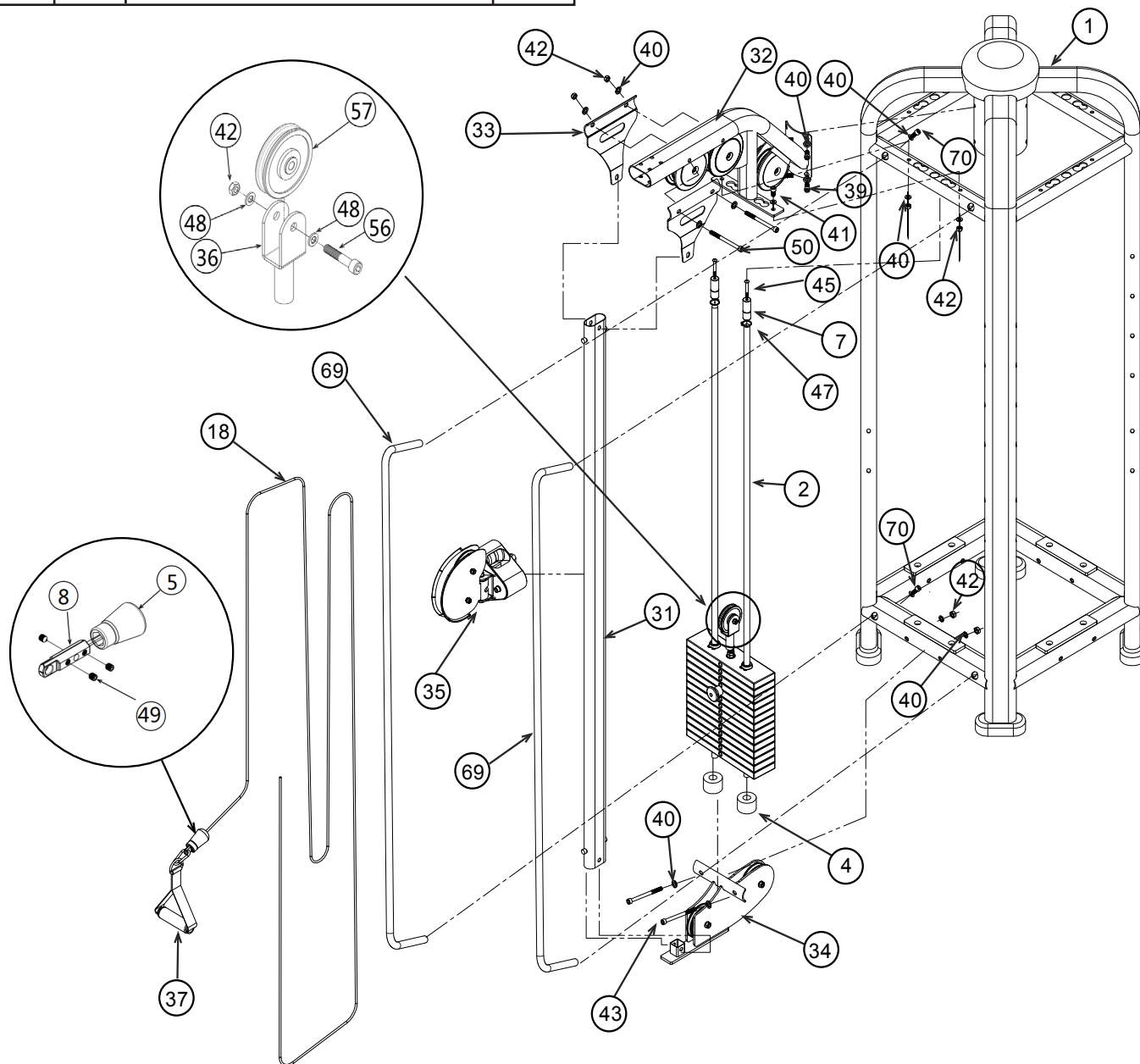
ASSEMBLY OF WEIGHT PACK FOR TRICEPS STATION



STEP 12

P.N.	Description	Qty
1	Self-supporting frame with 4 stations	1
2	Weight stack sliding guide	2
4	Rubber bumper for weight stack base	2
5	Conical limit stop for steel cable attachment	1
7	Alignment and fixing guide cylinder	2
8	Terminal fitting for steel cable	1
10	Carabiner	2
18	Steel cable for pulley station	1
31	Slide guide for trolley	1
32	Cantilevered upper beam 4	1
33	Trolley guide support bracket	2
34	Lower double pulley holder	1
35	Cross bar trolley	1
36	Single pulley holder	1
37	Pull-up handle	1

P.N.	Description	Qty
39	Socket Head Bolt M10x25 mm	4
40	Ø10 mm flat washer	14
41	Socket Head Bolt M10x20 mm	2
42	Lock Nut M10	9
43	Socket Head Bolt M10x120 mm	2
45	M8x60 mm countersunk hex head screw	2
47	Ø25 mm circlip	2
48	Ø8 mm flat washer	2
49	M8x10 mm knurled screw	2
50	Socket Head Bolt M10x130 mm	2
56	Socket Head Bolt M10x130 mm	1
57	Socket Head Bolt M10x45 mm	1
69	Ø110 mm pulley	2
70	Grip handle	4
	Socket Head Bolt M10x30 mm	

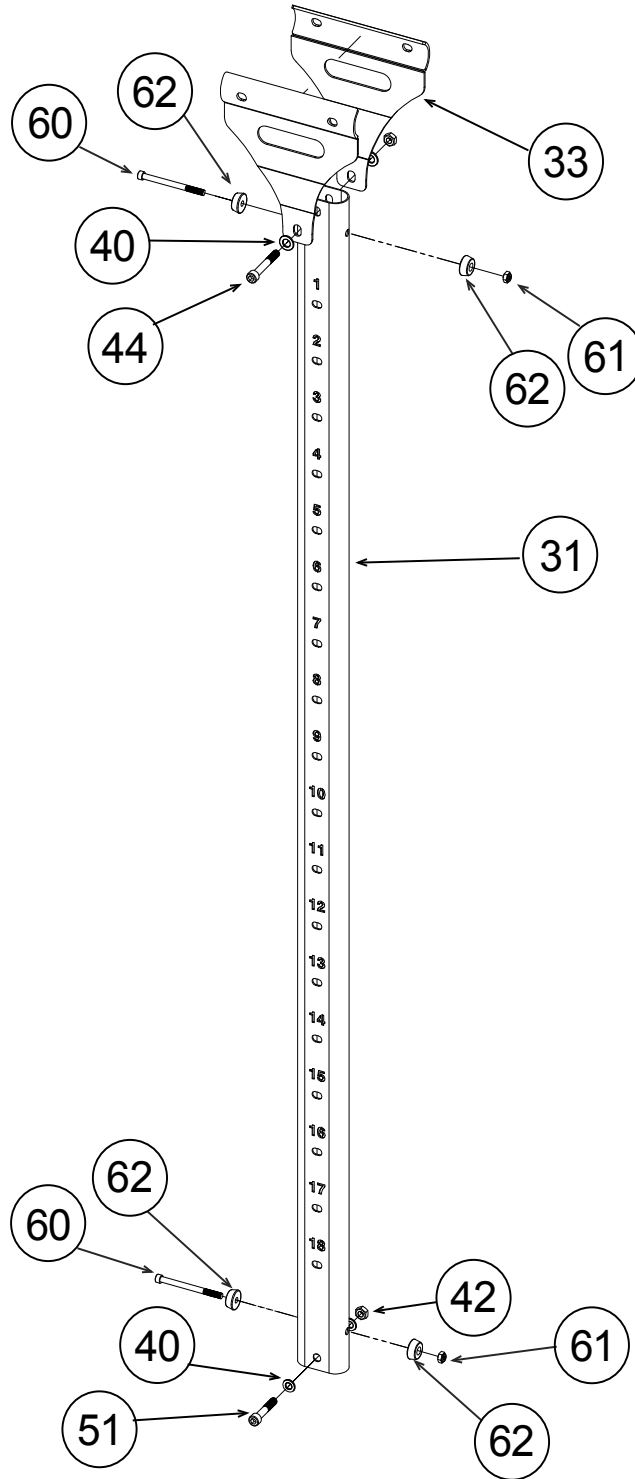


ASSEMBLY POLYETHYLENE STATION SINGLE CROSS CABLE

STEP 13

P.N.	Description	Qty
31	Carriage sliding guide	1
33	Support brackets for carriage guide	2
40	Flat washer Ø10 mm	4
42	Lock Nut M10	2
44	Socket Head Bolt M10x70 mm	1

P.N.	Description	Qty
51	Socket Head Bolt M10x55 mm	1
60	Socket Head Bolt M8x100 mm	2
61	M8 locking nut	2
62	End-of-travel stopper with rubber	4



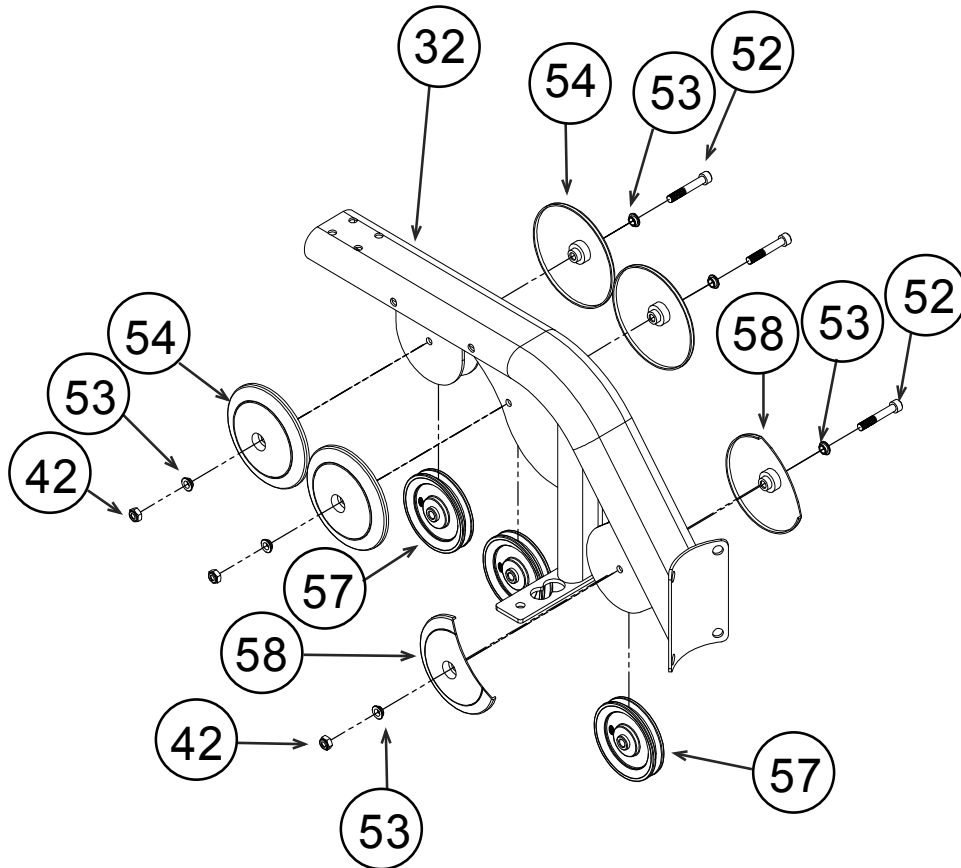
Assembly of carriage sliding guide



STEP 14

P.N.	Description	Qty
32	Overhanging upper beam 4	1
42	Lock Nut M10	3
52	Socket Head Bolt M10x65 mm	3
53	Bushing	6

P.N.	Description	Qty
54	Pulley cover 1	4
57	Pulley Ø110 mm	3
58	Pulley cover 2	2



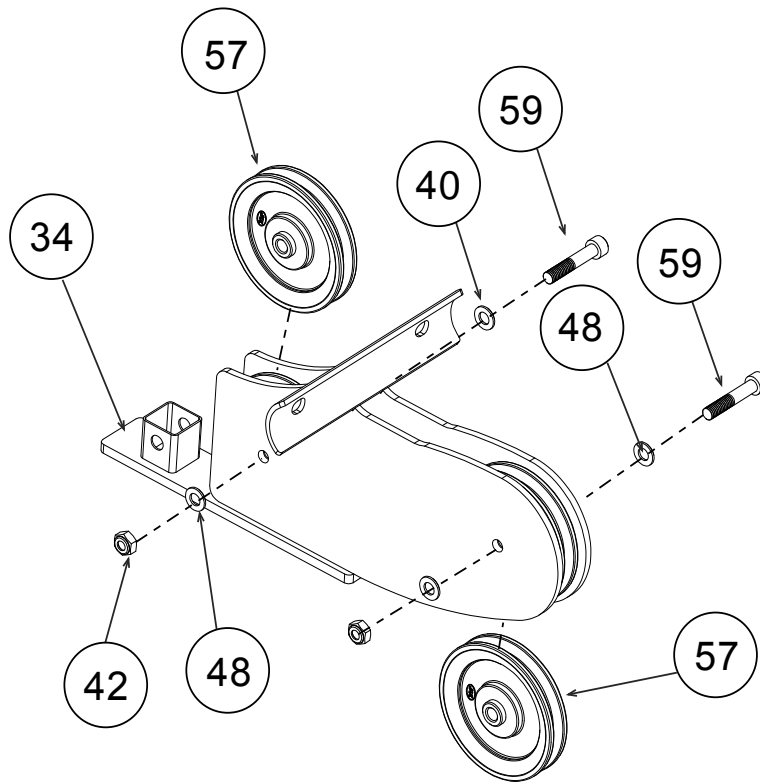
ASSEMBLY OF OVERHANGING BEAM 4 (POLYETHYLENE STATION)



STEP 15

P.N.	Description	Qty
34	Double pulley bracket	1
42	Lock Nut M10	2
40	Flat washer Ø10 mm	4

P.N.	Description	Qty
57	Pulley Ø110 mm	2
59	Socket Head Bolt M10x50 mm	2

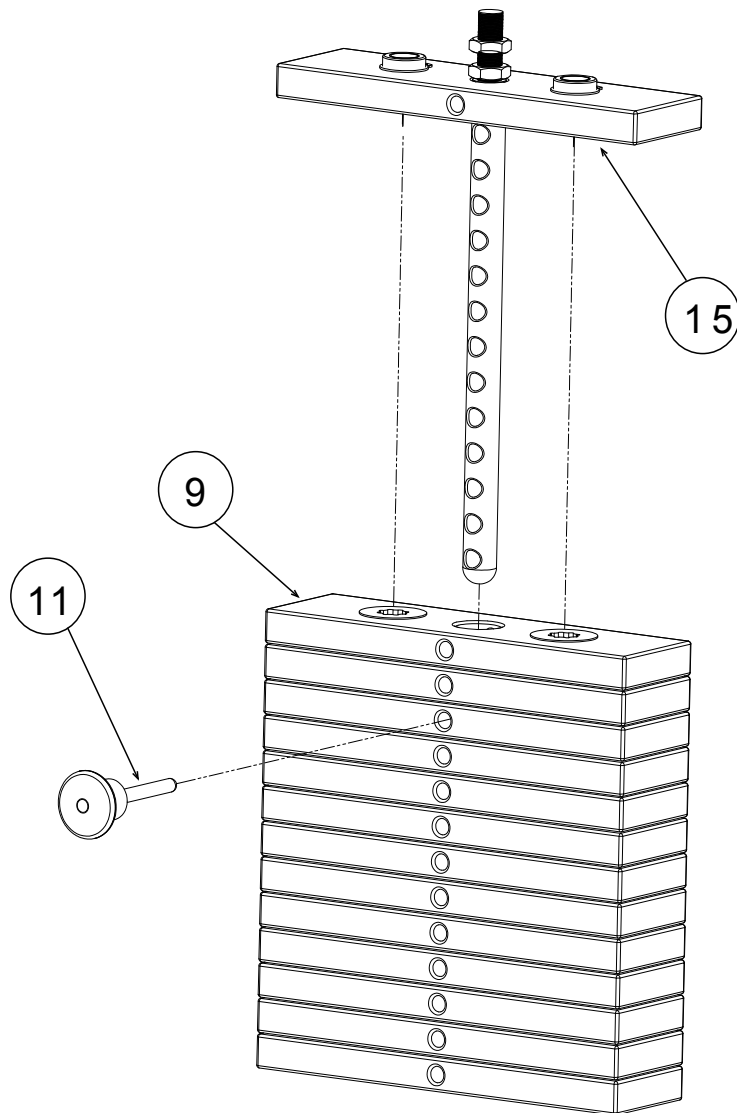


Assembly of lower double pulley bracket




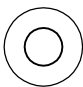

STEP 16

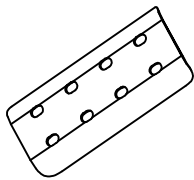
P.N.	Description	Qty
9	5 kg weight plate	13
11	Weight selection pin	1
15	5 kg base plate with weight selection rod	1



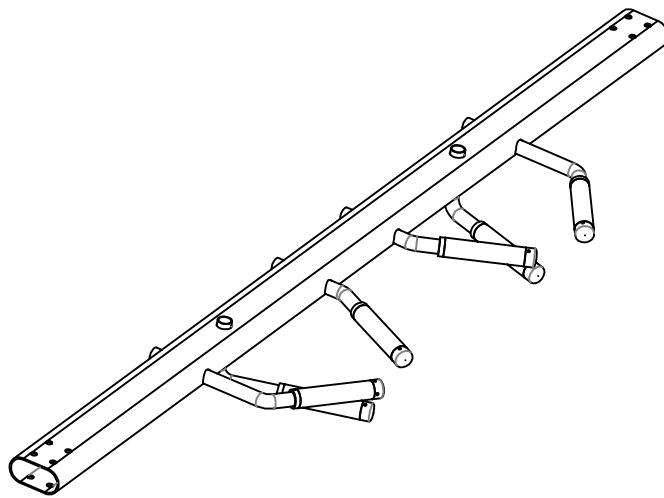
ASSEMBLY OF THE WEIGHT PACK FOR POLYETHYLENE STATION



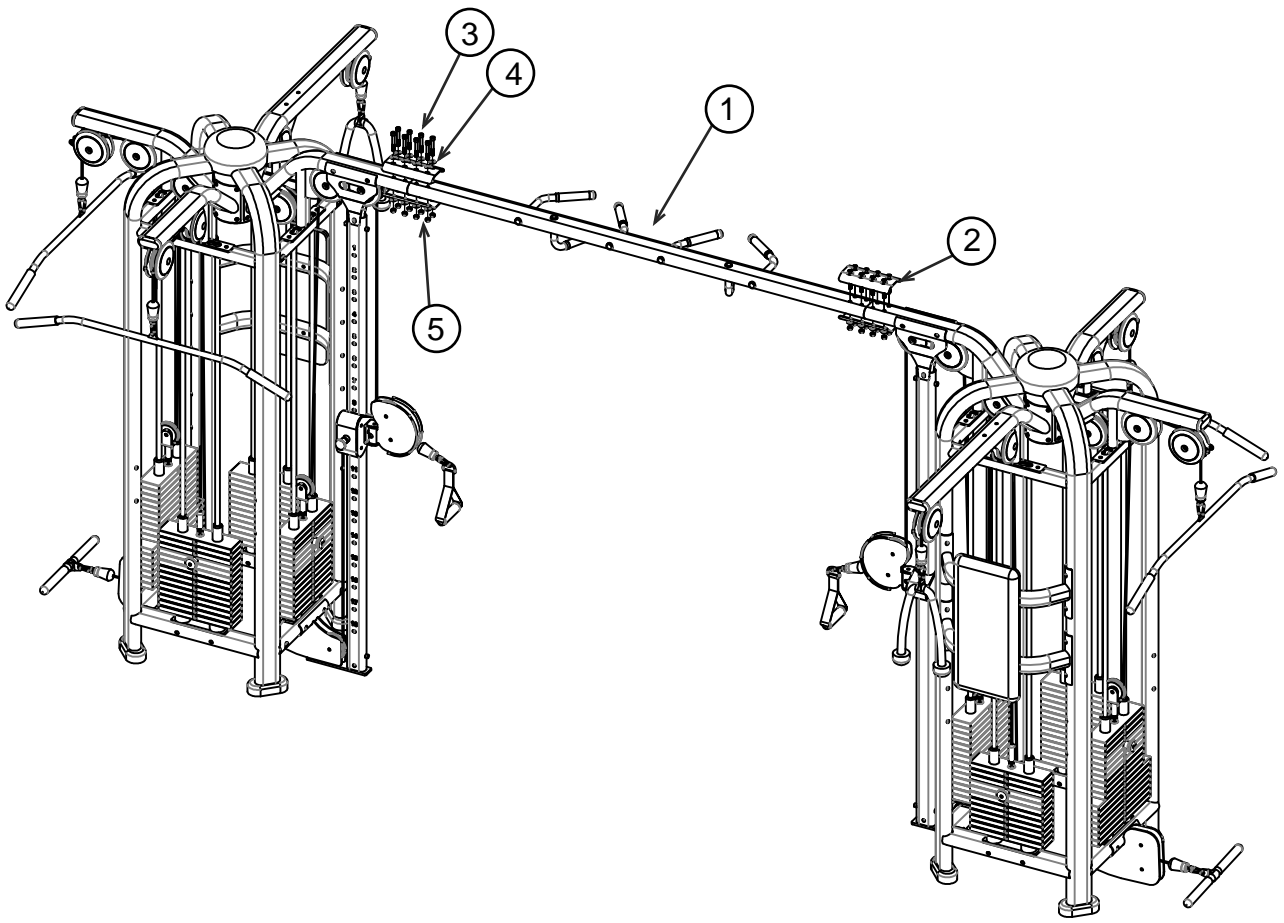
<p>3</p>  <p>M10X70MM Socket Hex Bolt *16</p>	<p>4</p>  <p>10mm Washer*32</p>	<p>5</p>  <p>M10 Aircraft Nut *16</p>
--	--	--



#2*4



#1*1





GARLANDO SPA
Via Regione Piemonte, 32 - Zona Industriale D1
15068 - Pozzolo Formigaro (AL) - Italy
contact@toorxprofessional.it
www.toorxprofessional.it