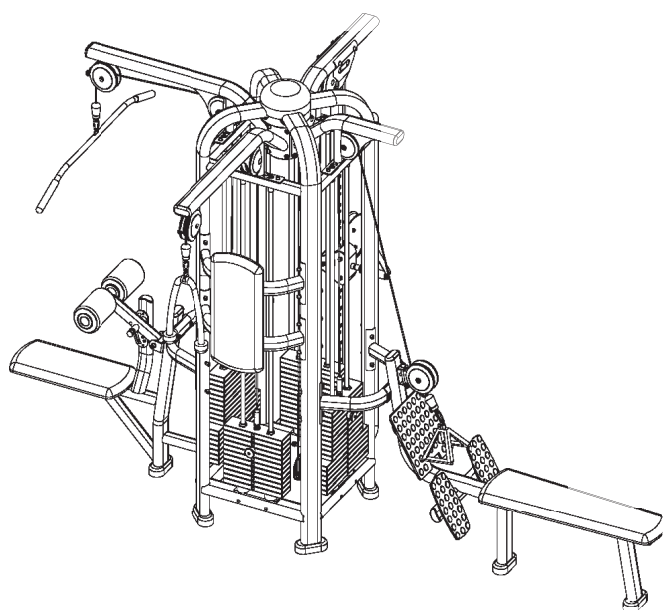


TOORX
PROFESSIONAL LINE

INSTRUCTION



CSX9000

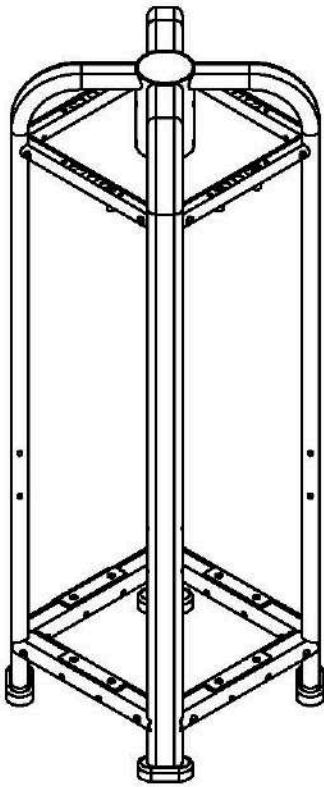


Cod : GRLDTOORXC SX9000

Rev : 00

Ed : 03/24

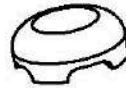
Component - Parts



#1*1



#2*8



#3*1



#4*8



#5*4



#6*1



#7*8



#8*4



#9*42



#10*4

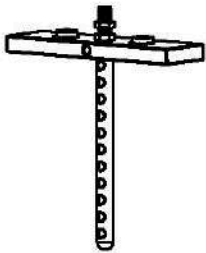


#11*4

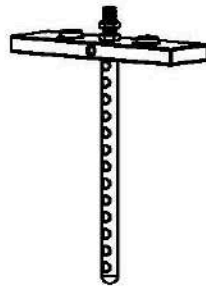


#12*3

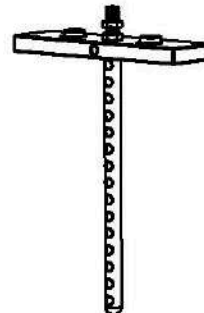
#13*13



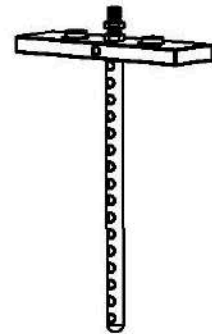
#14*1



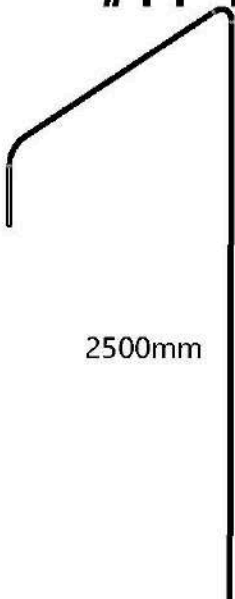
#15*1



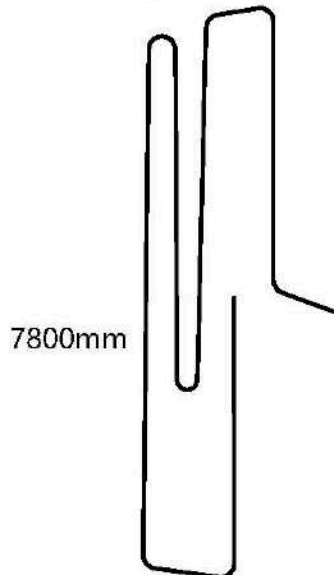
#16*1



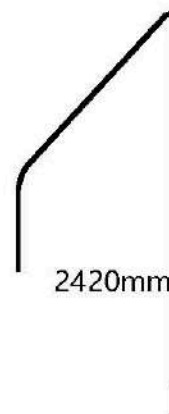
#17*1



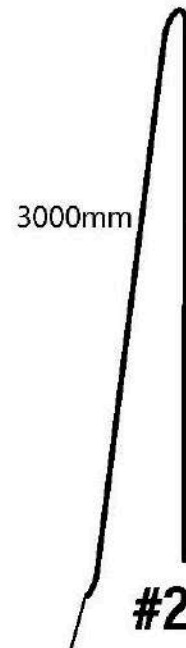
#18*1



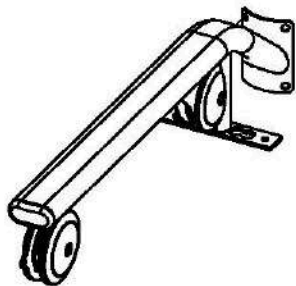
#19*1



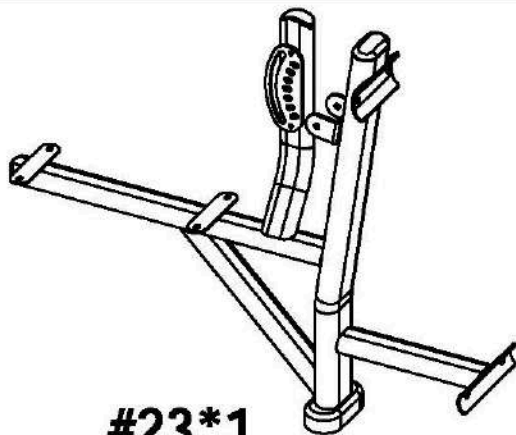
#20*1



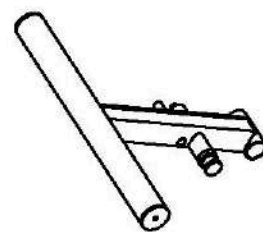
#21*1



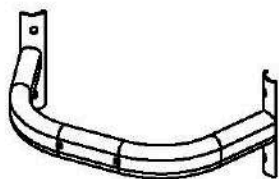
#22*1



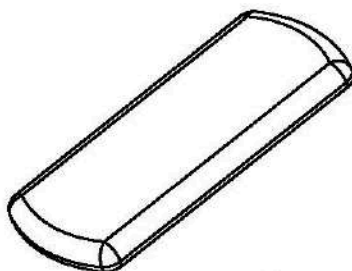
#23*1



#24*1



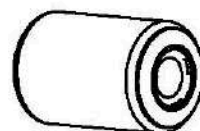
#25*1



#26*1



#27*2



#28*2



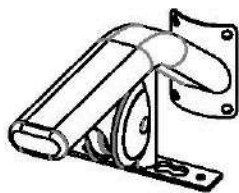
#29*1



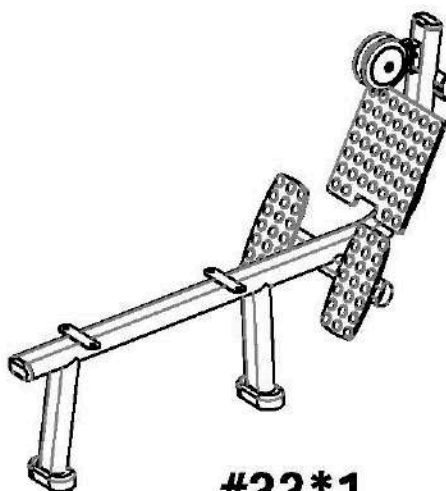
#30*2



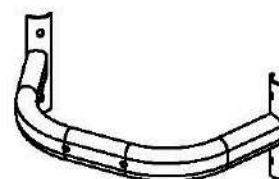
#31*2



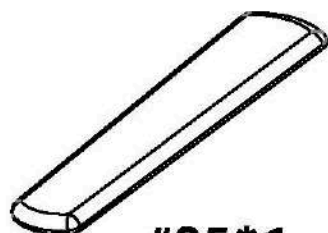
#32*1



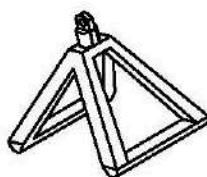
#33*1



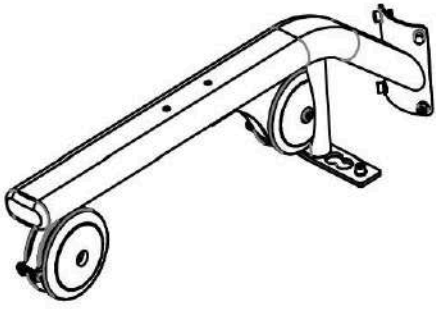
#34*1



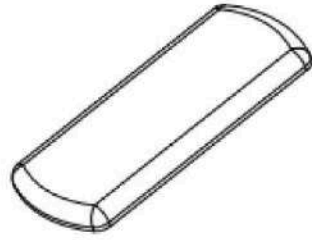
#35*1



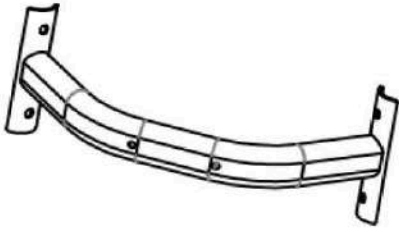
#36*1



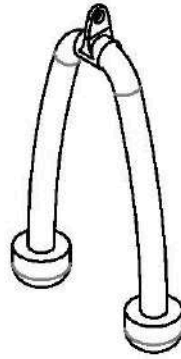
#37*1



#39*1



#40*1



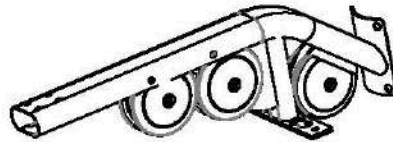
#41*1



#42*2



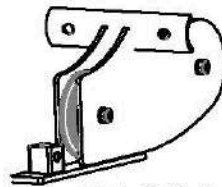
#43*1



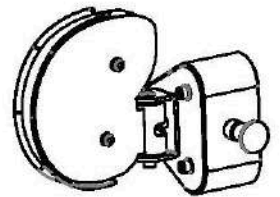
#44*1



#45*2



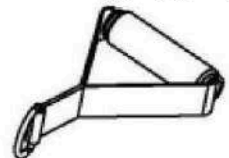
#46*1



#47*2

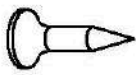

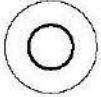


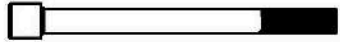
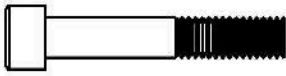
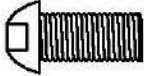
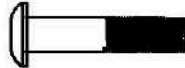


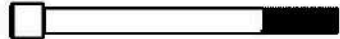
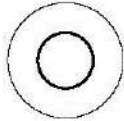

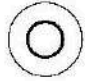
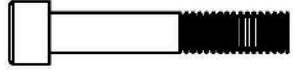

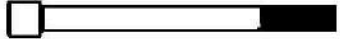
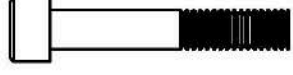



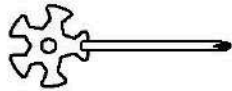


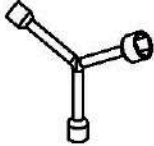


#48*1

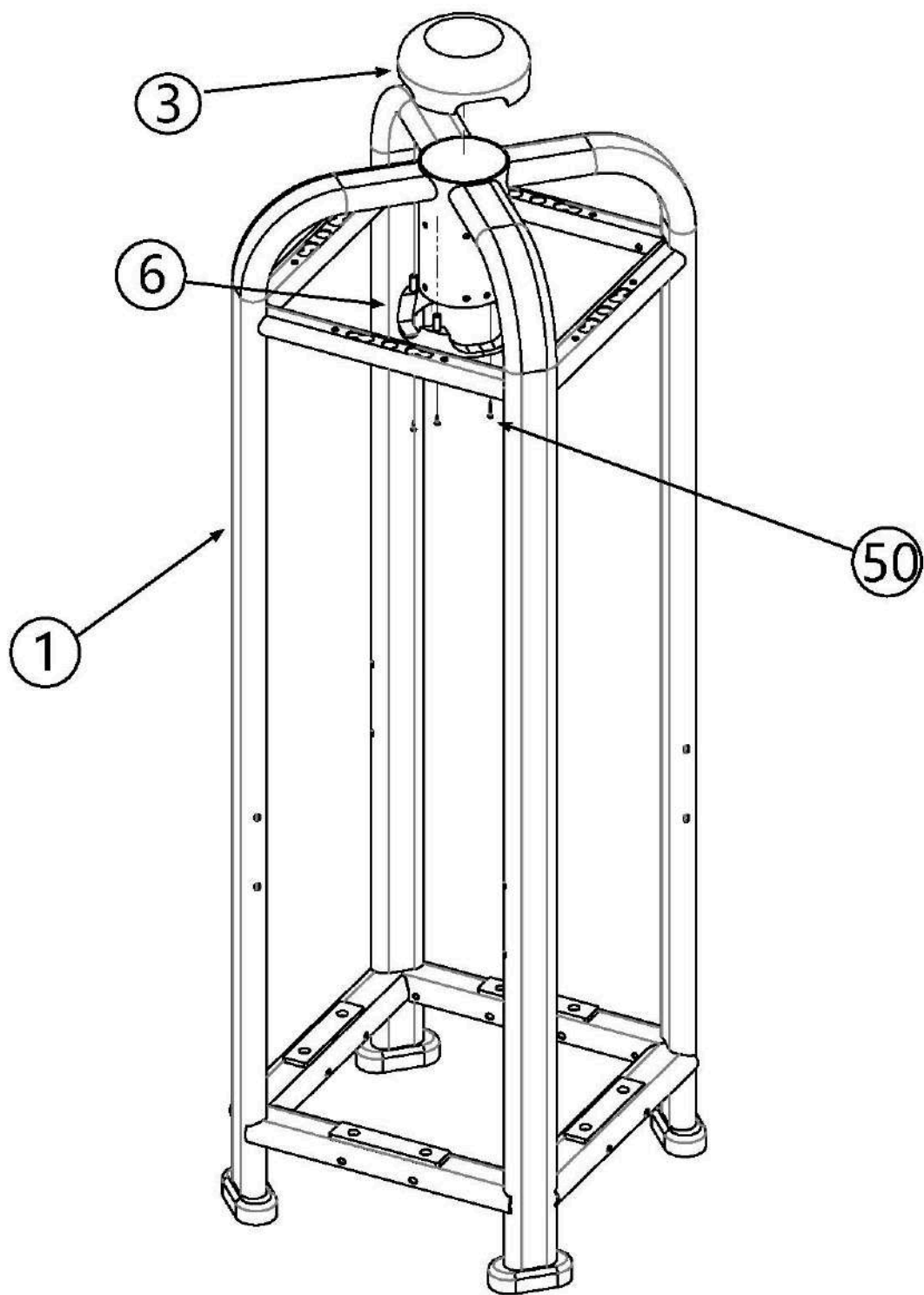


#49*1

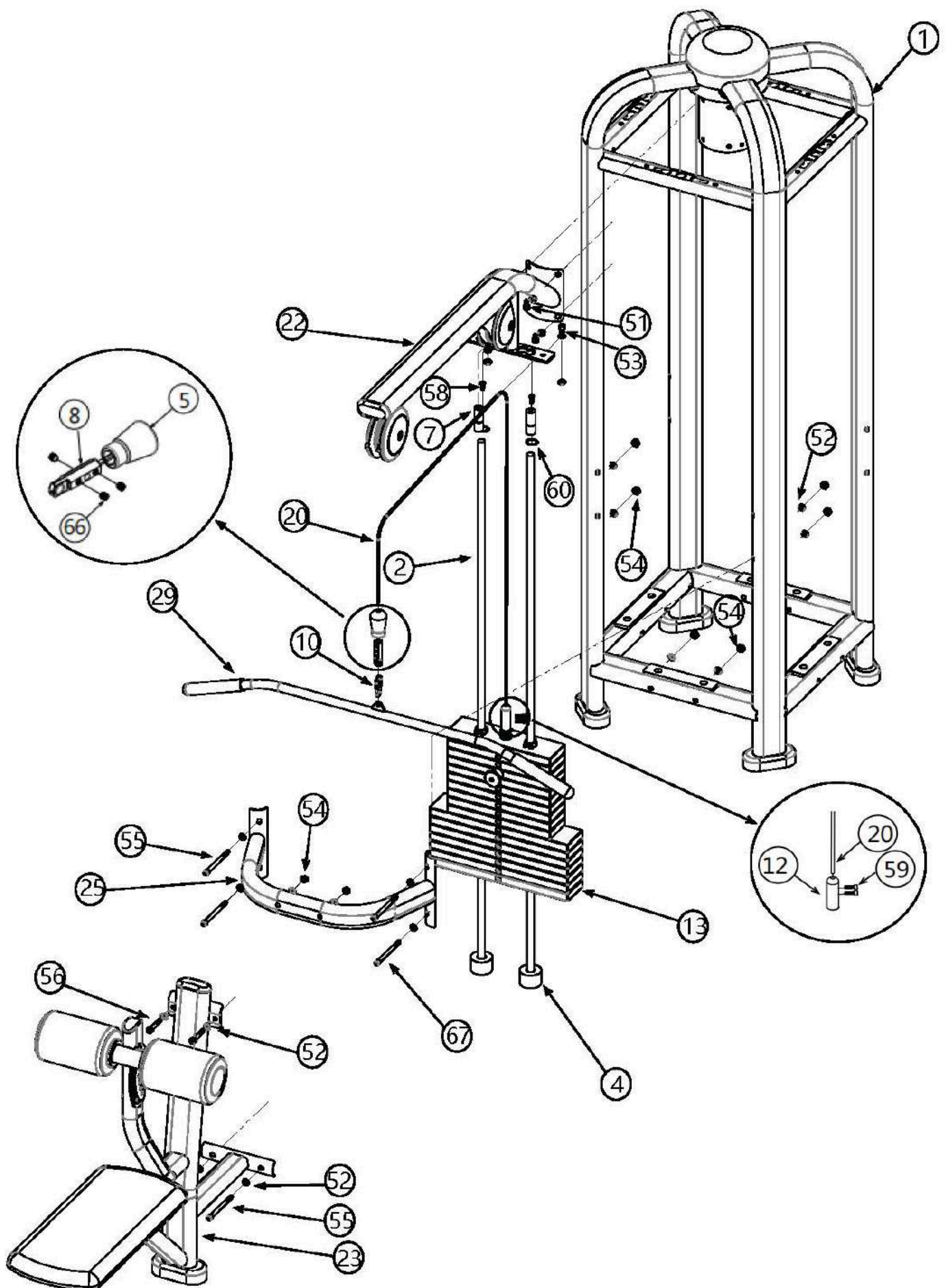
Component - Fixings

 <p>#50 Phillips Screw M5*35*4</p>	 <p>#51 Socket Head Bolt M10*25*16</p>	 <p>#52 Washer φ10*96</p>
 <p>#53 Socket Head Bolt M10*20*8</p>	 <p>#54 Lock Nut M10*32</p>	 <p>#55 Socket Head Bolt M10*120* 20</p>
 <p>#56 Socket Head Bolt M10*60*4</p>	 <p>#57 Dome Head Bolt M8*25*8</p>	 <p>#58 Dome Head Bolt M8*60*8</p>
 <p>#59 Socket Head Bolt M8*25*8</p>	 <p>#60 Circlip φ25*8</p>	 <p>#61 Socket Head Bolt M12*110*1</p>
 <p>#62 Washer φ12*2</p>	 <p>#63 Lock nut M12*1</p>	 <p>#64 Washer φ8*8</p>
 <p>#65 Socket Head Bolt M10*70*5</p>	 <p>#66 Jack Screw M8*</p>	 <p>#67 Socket Head Bolt M10*130*2</p>
 <p>#68 Socket Head Bolt M10*55*1</p>	 <p>#69 Socket head Bolt M10*30*4</p>	
		
		

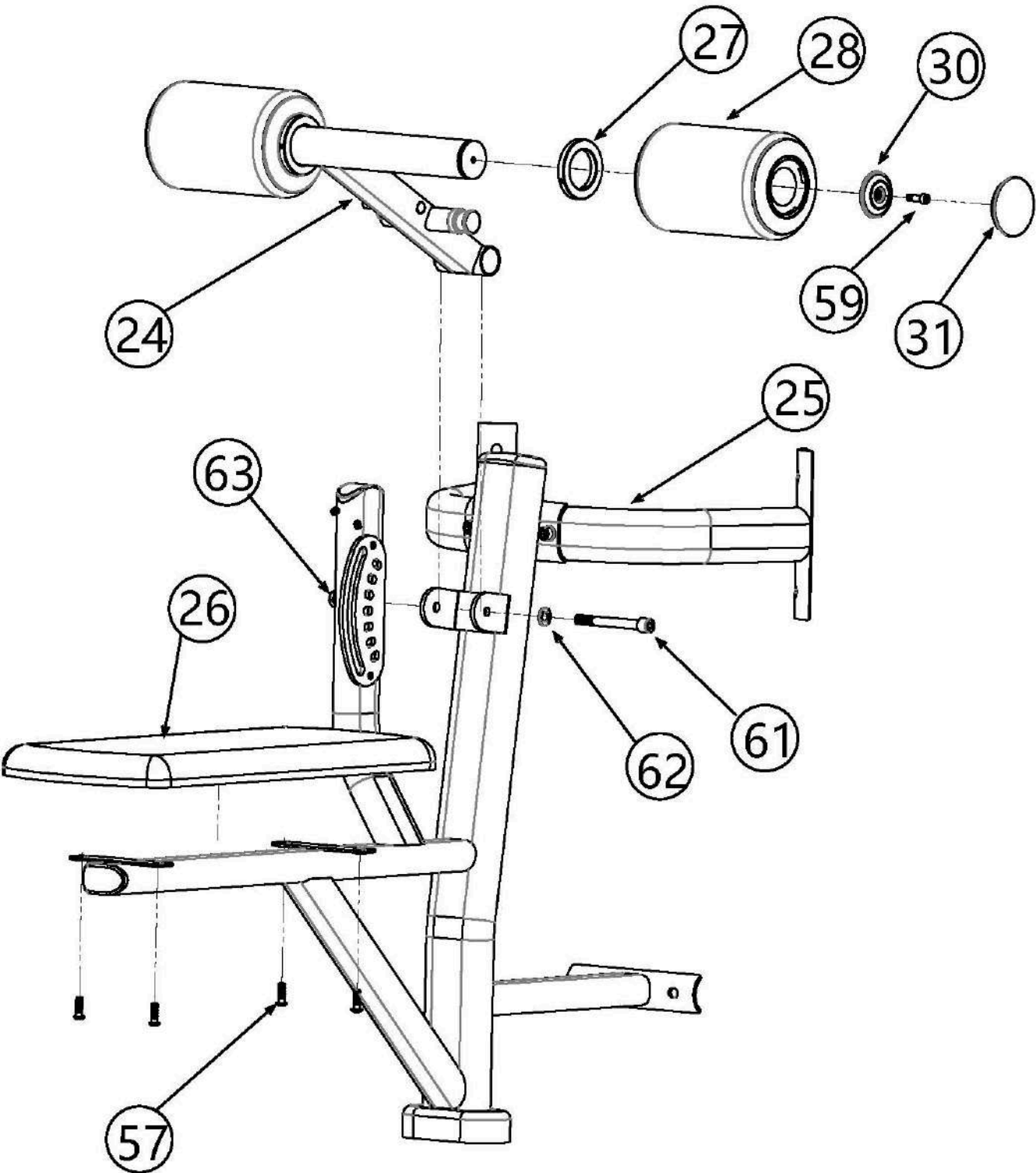
Assembly Instructions



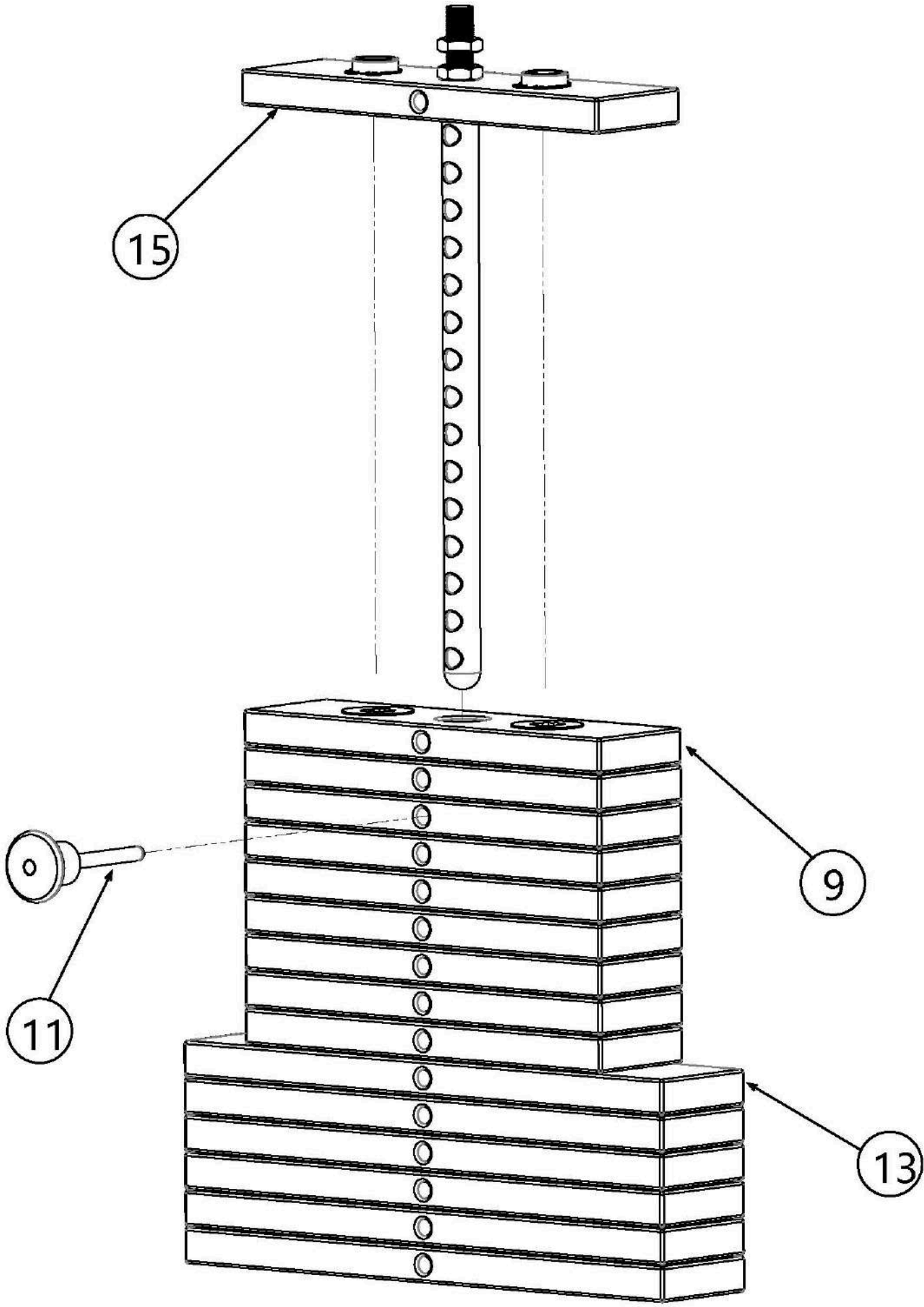
Assembly Instructions



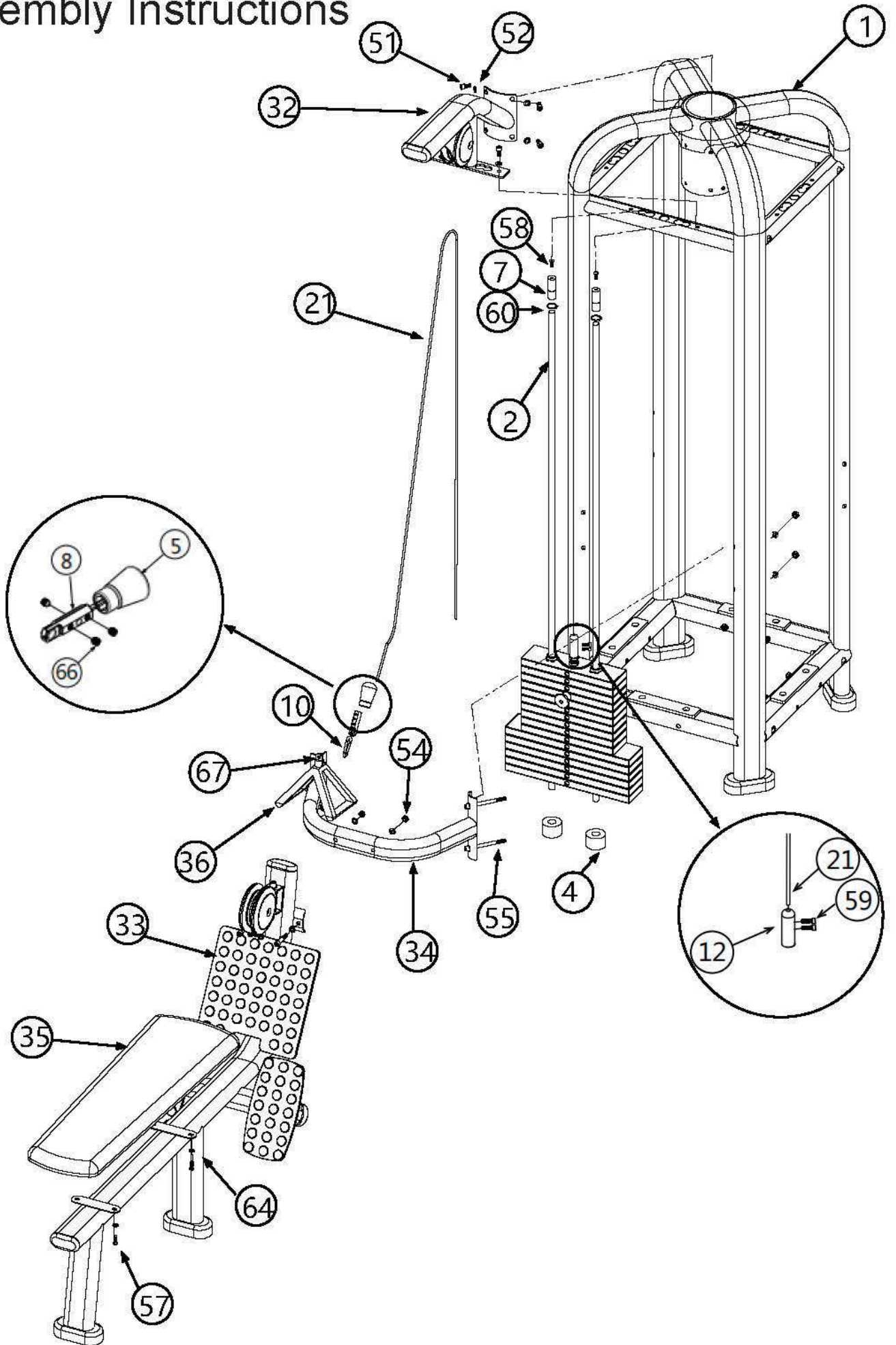
Assembly Instructions



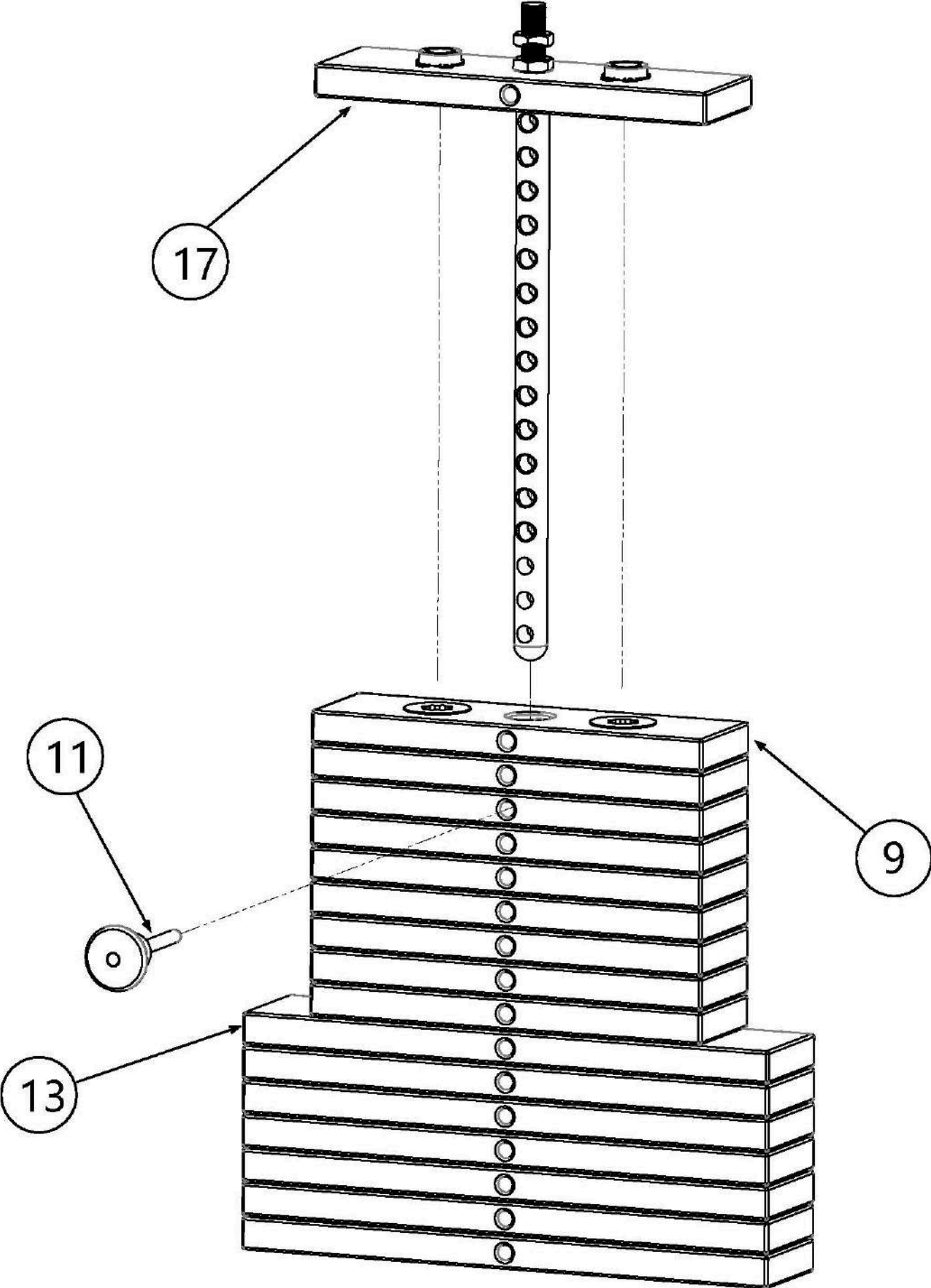
Assembly Instructions



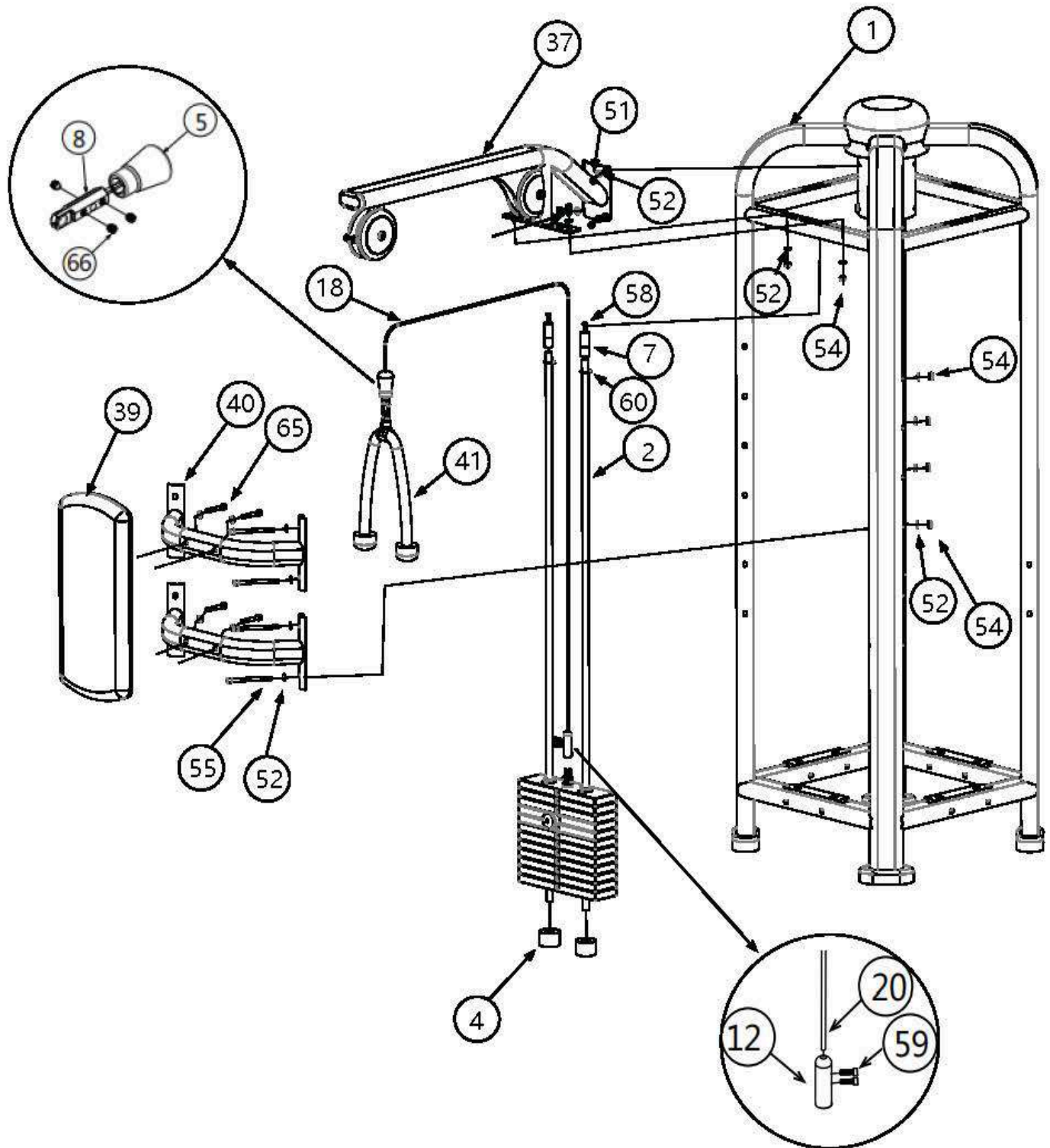
Assembly Instructions



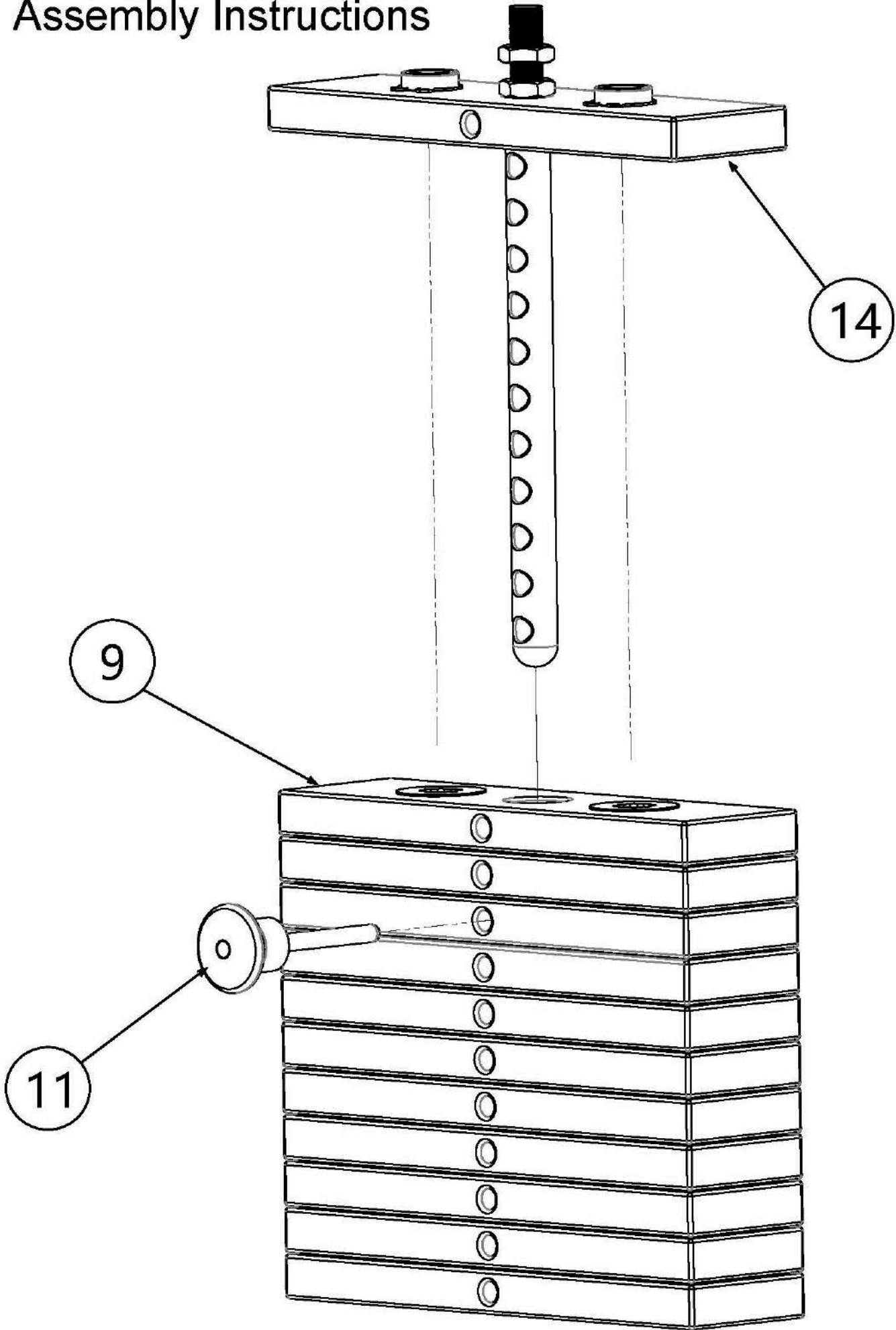
Assembly Instructions



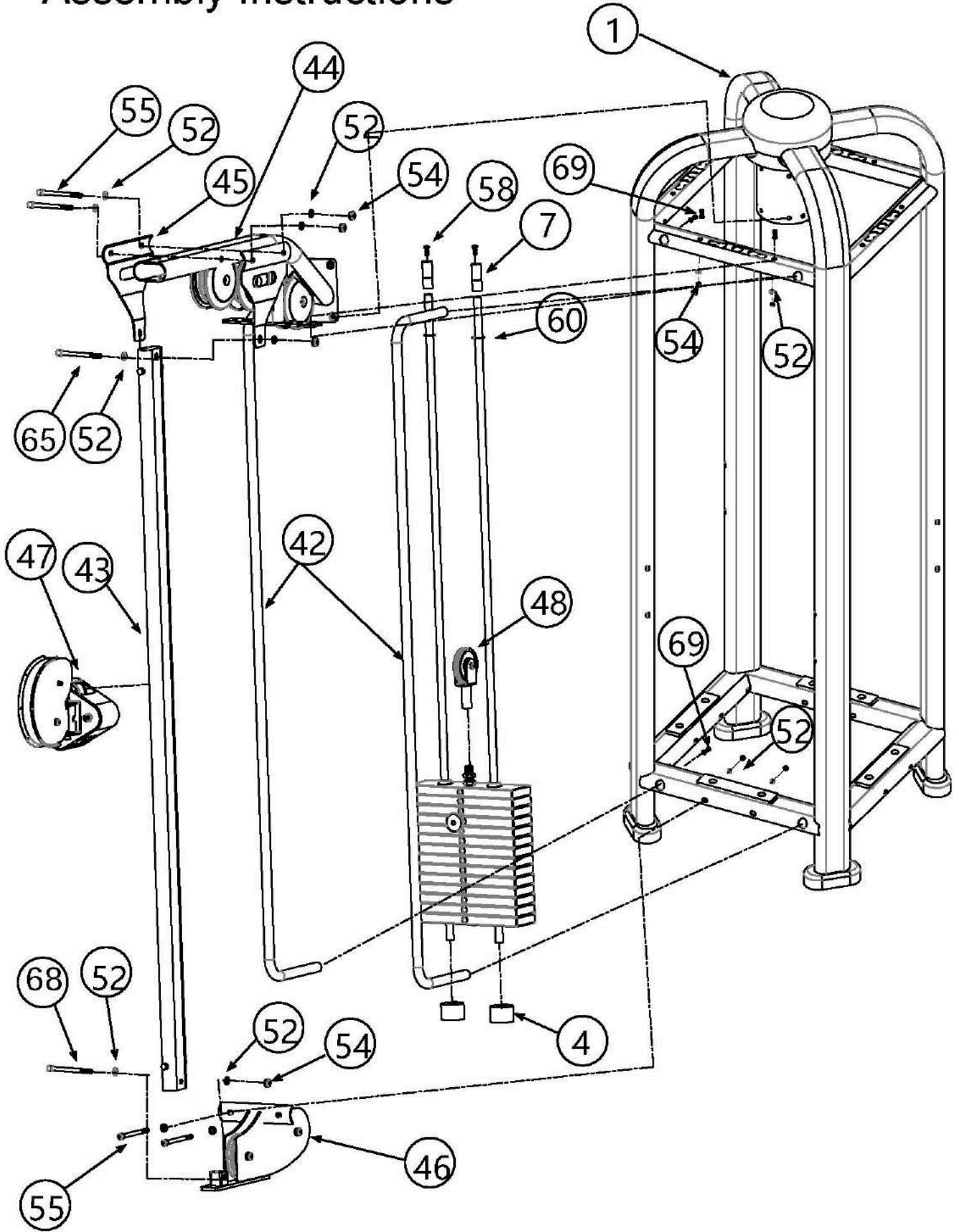
Assembly Instructions



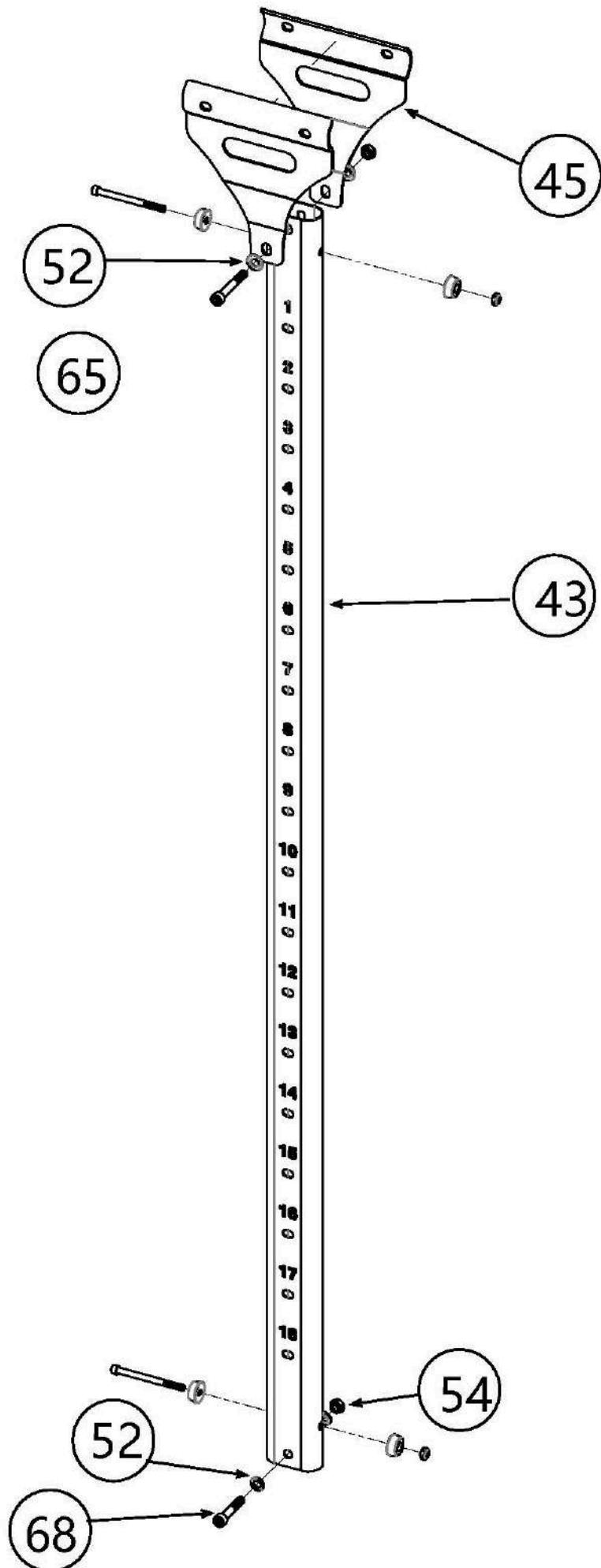
Assembly Instructions



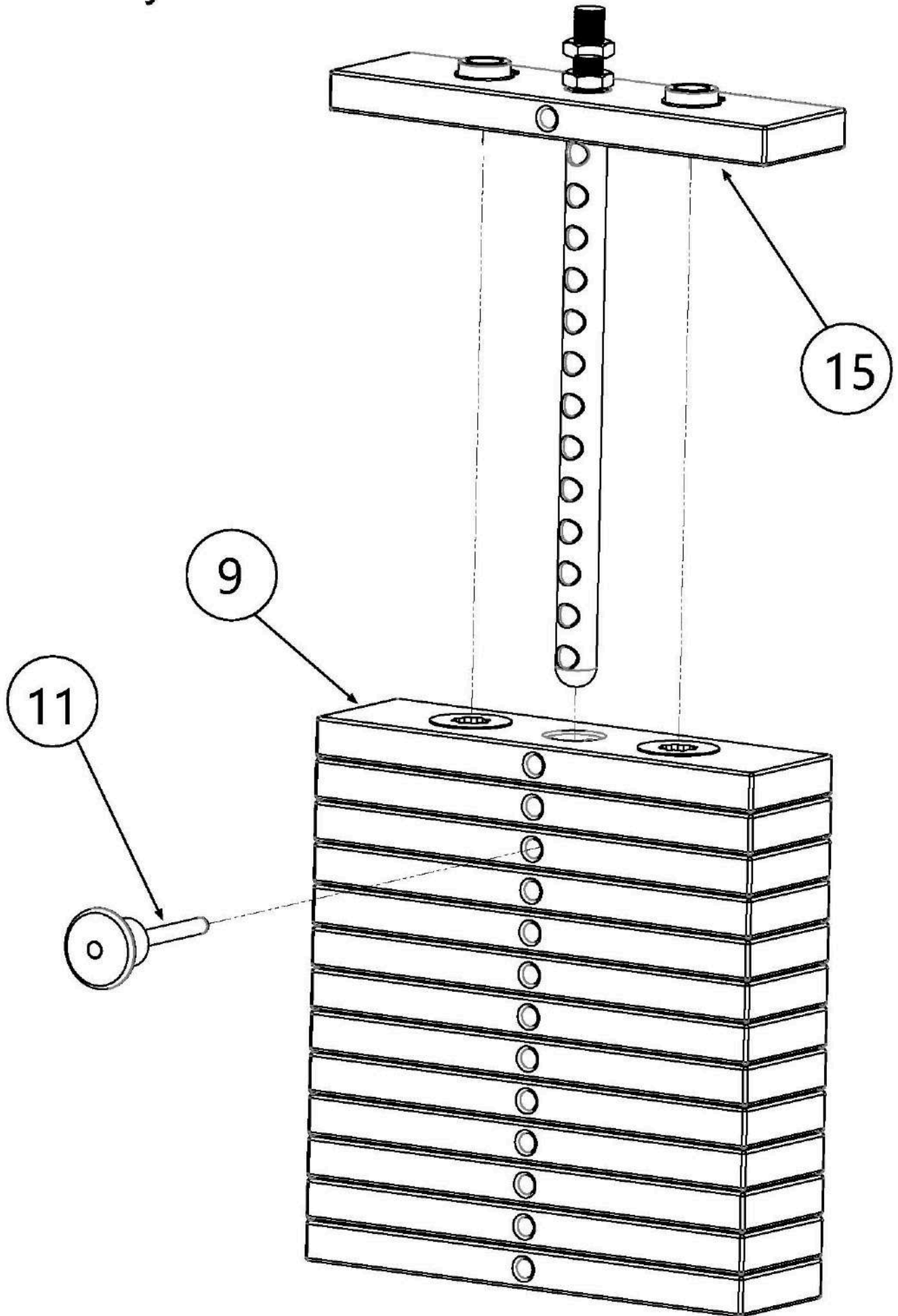
Assembly Instructions



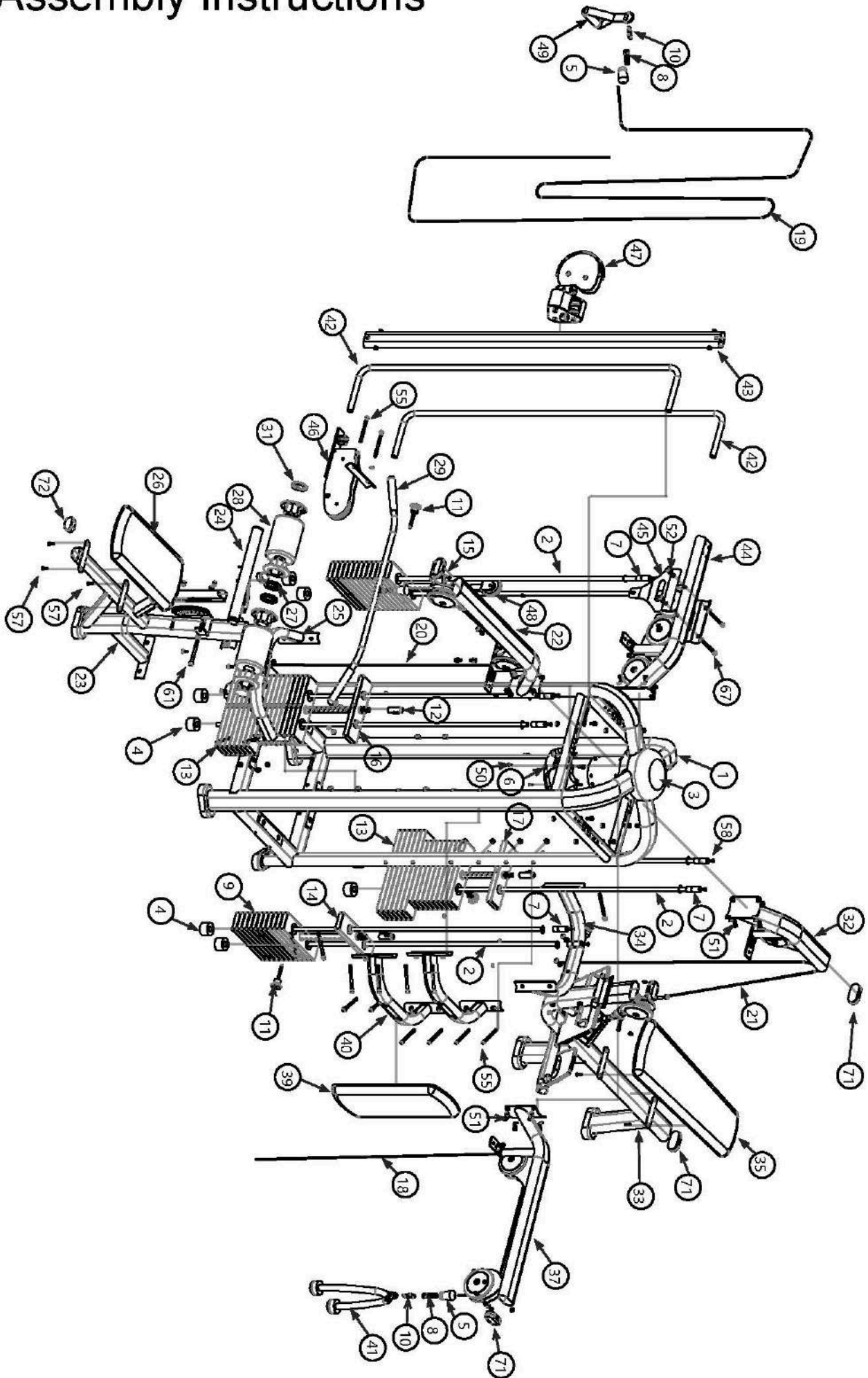
Assembly Instructions



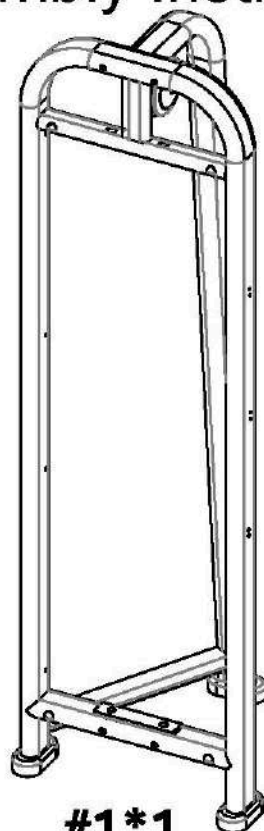
Assembly Instructions



Assembly Instructions



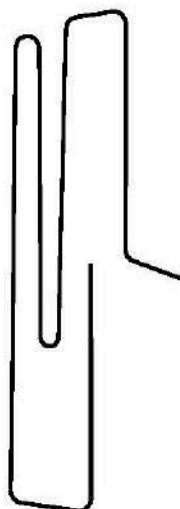
Assembly Instructions



#1*1



#2*2



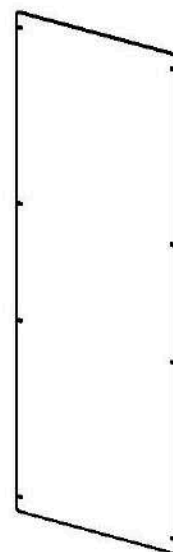
#3*1



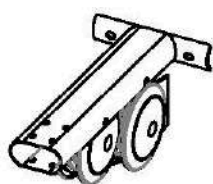
#4*1



#5*1



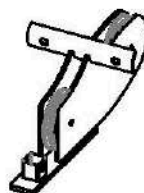
#6*1



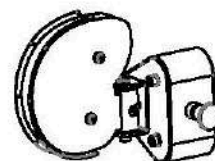
#7*1



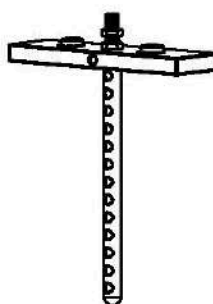
#8*2



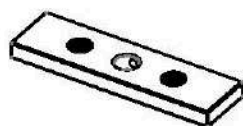
#9*1



#10*1



#11*1



#12*13



#13*1



#14*1



#15*1



#16*1



#22*1



#17*2



#18*1



#19*1


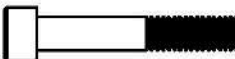
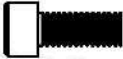
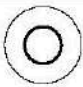


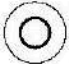


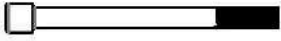
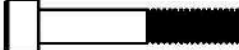





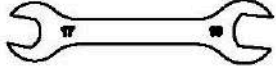




#20*8

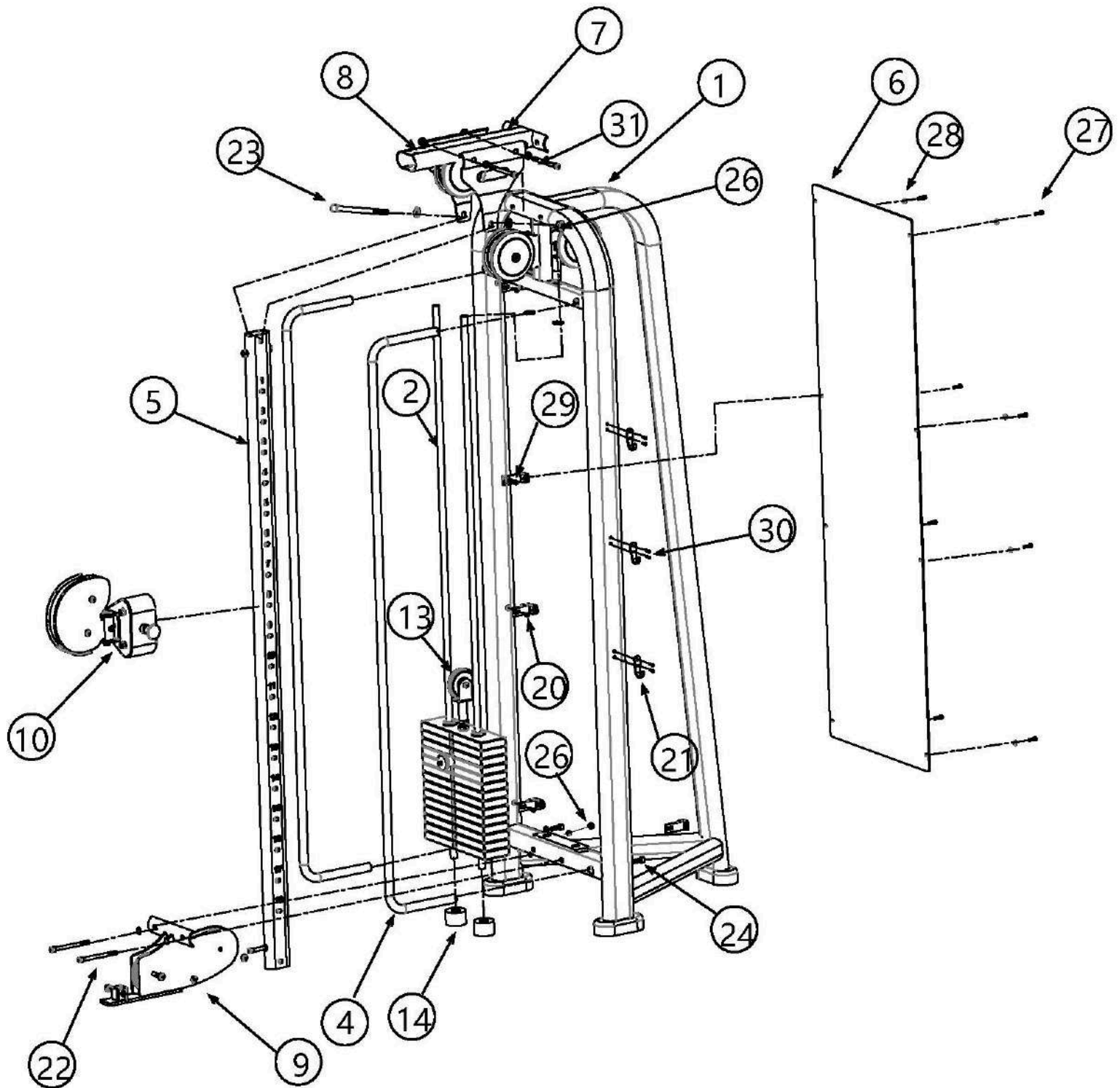


#21*6

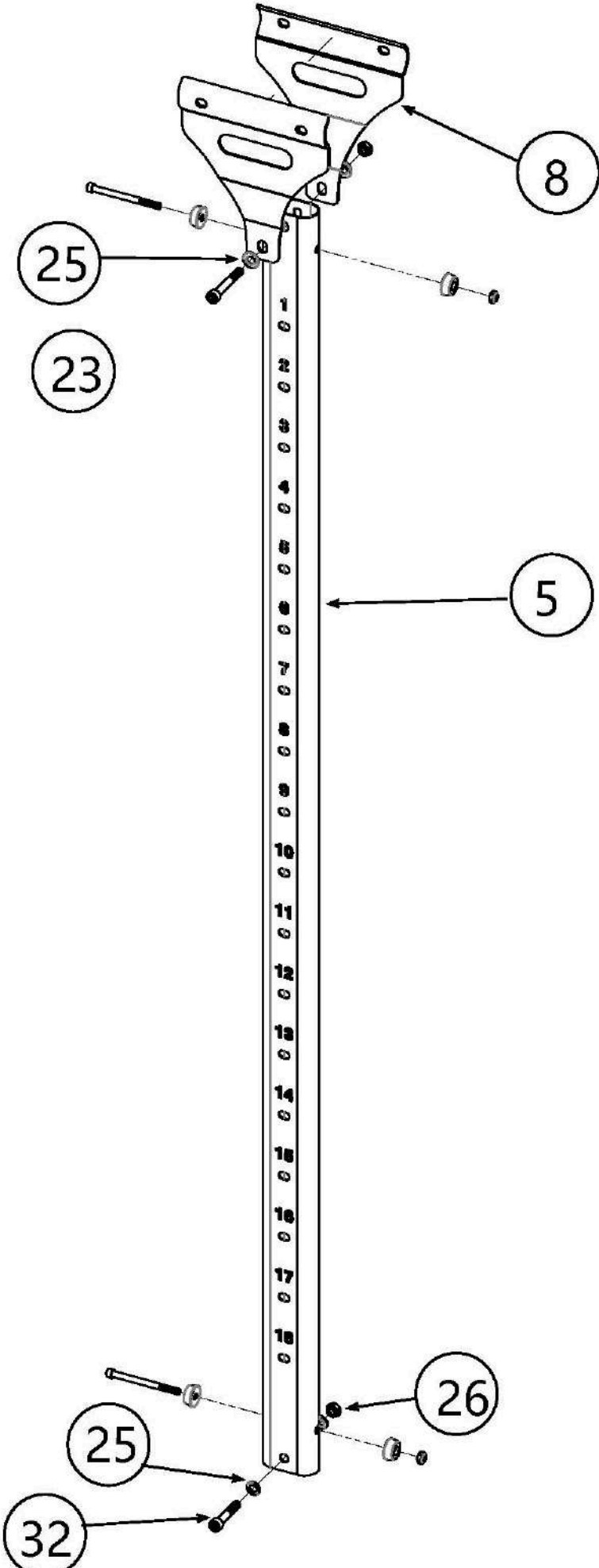
Assembly Instructions

 <p>22# Socket Head Bolt M10*120*4</p>	 <p>#23 Socket Head Bolt M10*70*1</p>	 <p>#24 Socket Head Bolt M10*30*4</p>
 <p>#25 Washer 10mm*20</p>	 <p>#26 Lock Nut M10*8</p>	 <p>#27 Socket Head Bolt M6*20*16</p>
 <p>#28 Washer 6mm*40</p>	 <p>#29 Lock Nut M6*8</p>	 <p>#30 Dome Head Bolt M4*16*12</p>
 <p>31# Socket Head Bolt M10*130*2</p>	 <p>32# Socket Head Bolt M10*55*1</p>	 <p>#33 Dome Head Bolt M8*60*2</p>
 <p>34# Circlip 25mm*2</p>	 <p>#35 Jack Screw M8*10*8</p>	
		
		

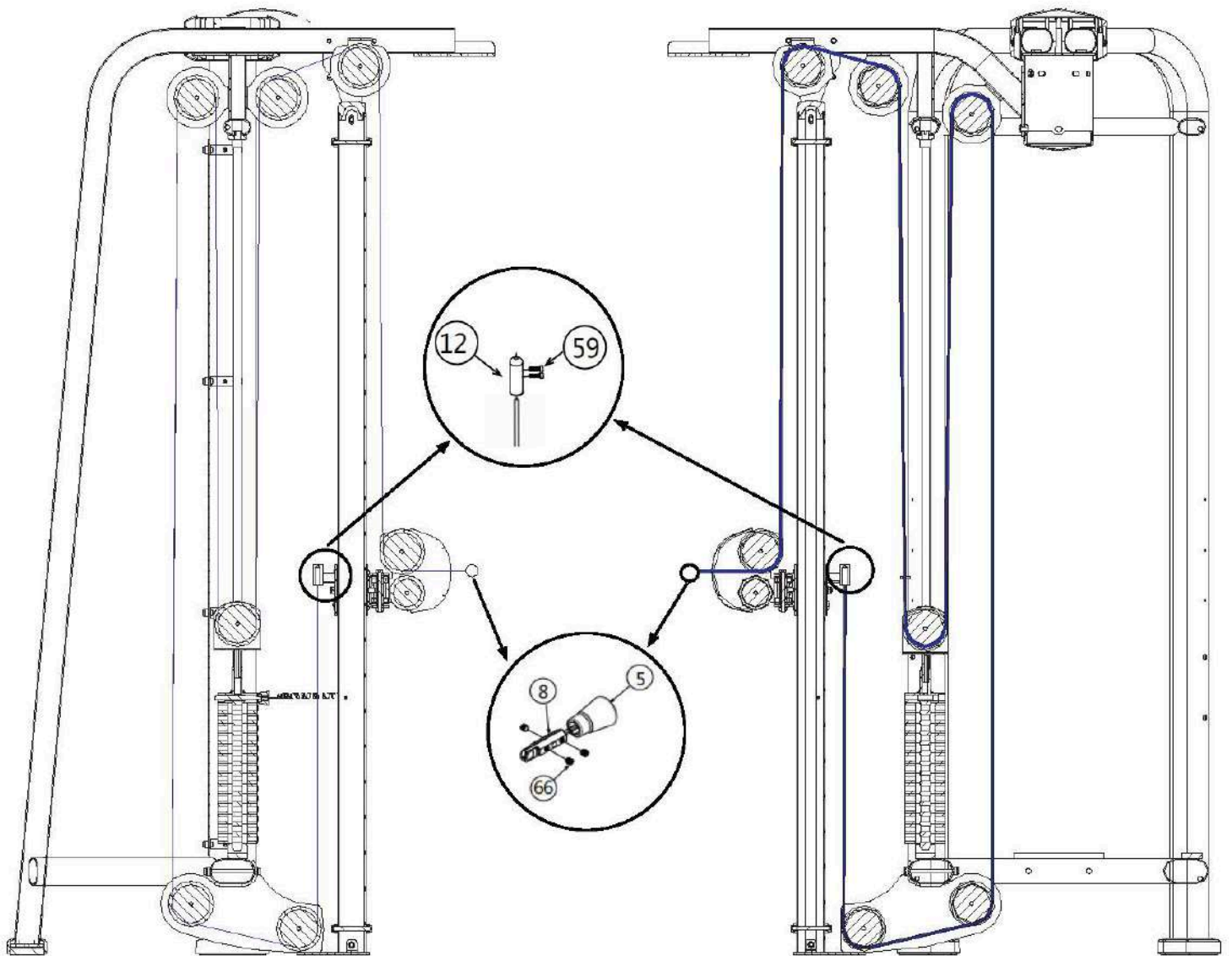
Assembly Instructions



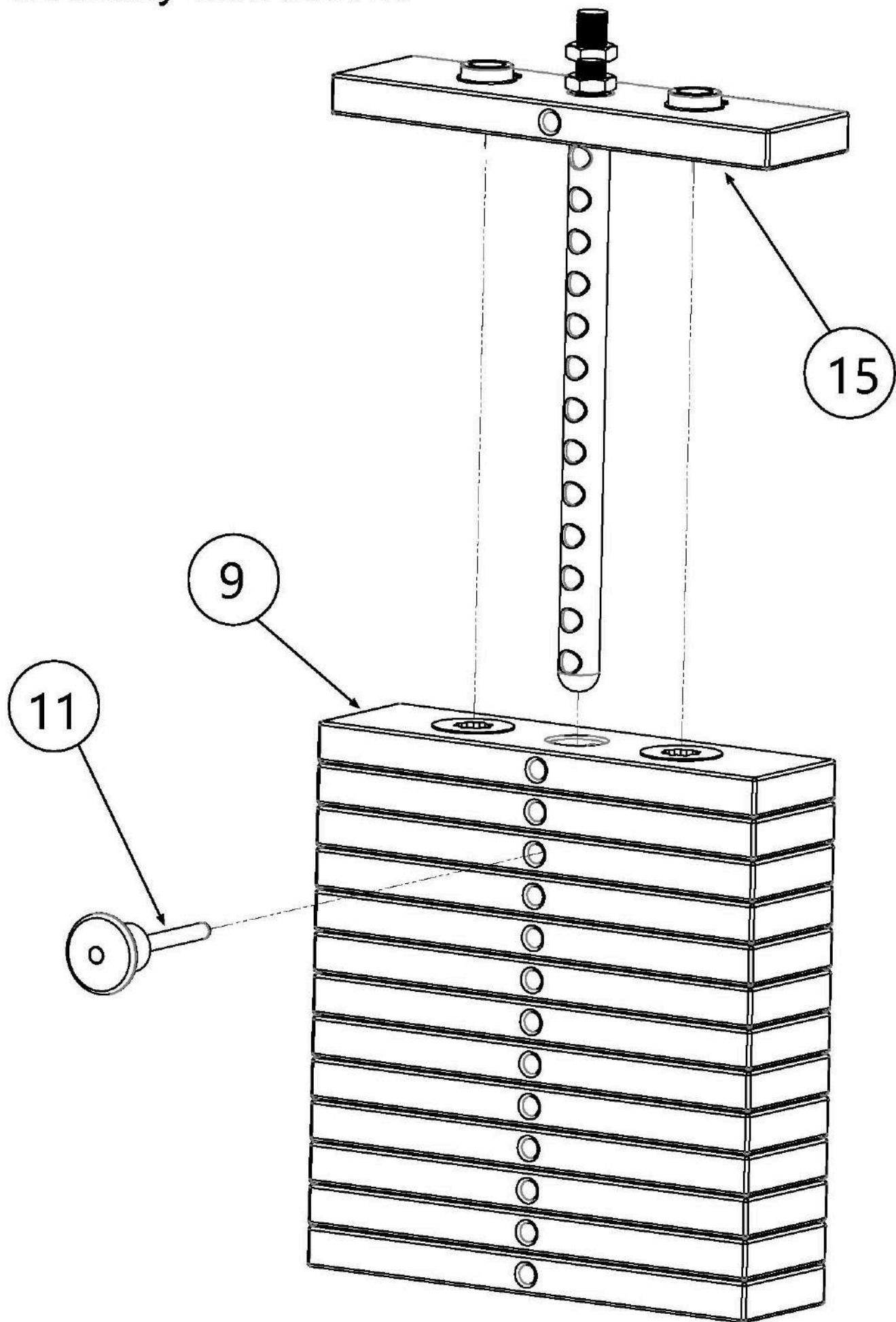
Assembly Instructions



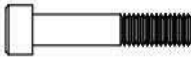


Assembly Instructions

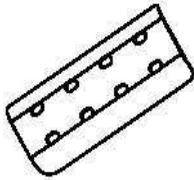


Assembly Instructions

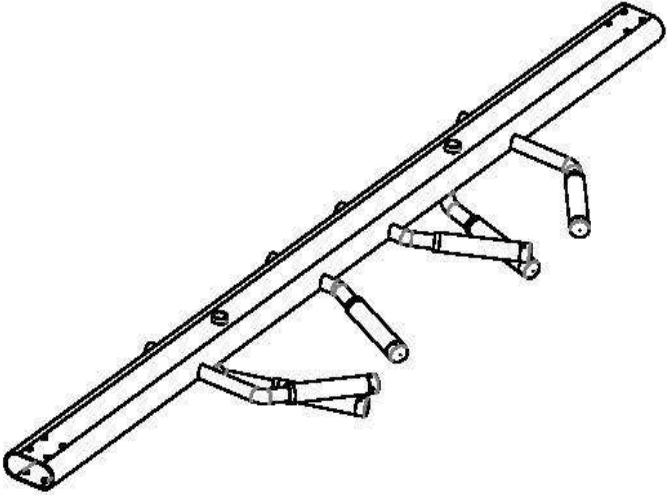


Assembly Instructions

3  M10X70MM Hex Bolt *16	4  ø 10mm Washer*32	5  M10 Aircraft Nut *16
--	---	---

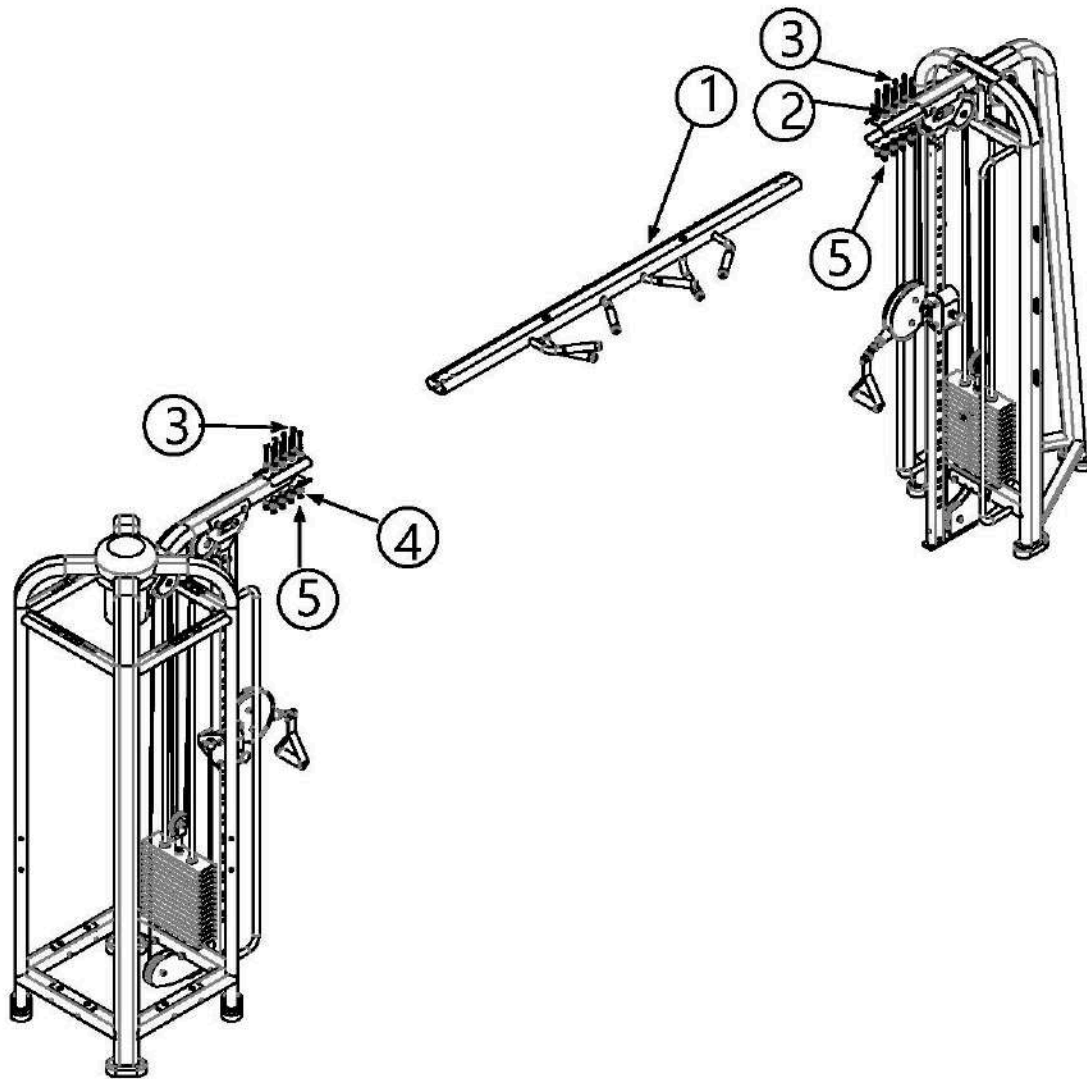


#2*4

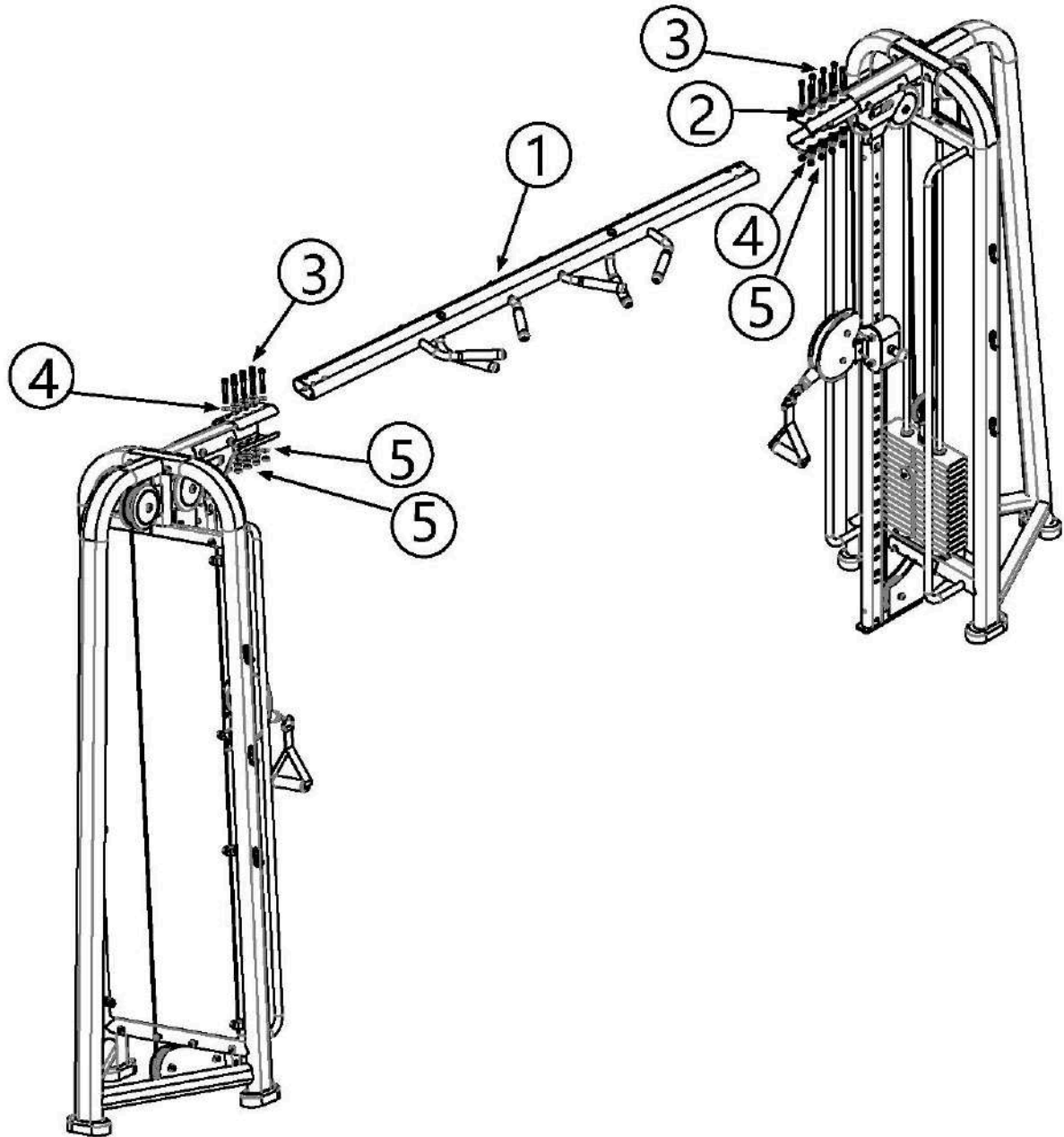


#1*1

Assembly Instructions



Assembly Instructions



Parts List

Part No.	Description	Qty	Part No.	Description	Qty
1	Main Frame	1	41	Triceps Rope	1
2	Guide Rod	8	42	Cablecrossover Handrail	2
3	Upper Cap A	1	43	Cablecrossover Adjust Tube	1
4	Shock Pad	8	44	Cablecrossover Upper Seam	1
5	Cable Stopper	4	45	Bracket	2
6	Upper Cap B	2	46	Cablecrossover Lower Connector	1
7	Guide Rod Fixing Shaft Sleeve	8	47	Cablecrossover Pulley Cover Asser	1
8	Cable Retainer 1	4	48	Cablecrossover Pulley Assembly	1
9	5KG Weight plate	42	49	Single Strap	1
10	Gourd hook	4	50	M5*35 Phillips screw	4
11	Weight select pin	4	51	M10*25 Socket Head Bolt	16
12	Cable Retainer 2	3	52	φ10 Washer	96
13	7.5KG Weight plate	13	53	M10*20 Socket Head Bolt	8
14	Triceps Upper Weight Plate	1	54	M10 Lock Nut	32
15	Cablecrossover Upper Weight Plate	1	55	M10*120 Socket Head Bolt	20
16	Lat Pulldown Upper Weight Plate	1	56	M10*60 Socket Head Bolt	4
17	Lower Pull Upper Weight Plate	1	57	M8*25 Dome Head Bolt	8
18	Triceps Cable	1	58	M8*60 Dome Head Bolt	8
19	Cablecrossover Cable	1	59	M8*25 Socket Head Bolt	8
20	Lat Pulldown Cable	1	60	φ25 Circlip	8
21	Lower Pull Cable	1	61	M12*110 Socket Head Bolt	1
22	Lat Pull Upper Seam	1	62	φ12 Washer	2
23	Lat Pull Seat Support	1	63	M12 Lock Nut	1
24	Foam Roll	1	64	φ8 Washer	8
25	Lat Pull Bend Connector	1	65	M10*70 Socket Head Bolt	5
26	Lat Pull Seat Pad	1	66	M8*10 Jack Screw	18
27	Foam Roll Limit Sleeve	2	67	M10*130 Socket Head Bolt	2
28	Foam Roll	2	68	M10*55 Socket Head Bolt	1
29	Lat bar	1	69	M10*30 Socket Head Bolt	4
30	End cap	2			
31	Foam Roll End Cap	2	71	Flat Elliptic End Cap	6
32	Lower Pull Upper Seam	1	72	Flat Elliptic End Cap	6
33	Lower Pull Seat Support	1	73	Rubber Footplate	2
34	Lower Pull Bend Connector	1	74	Rubber concave plate	1
35	Lower Pull Seat Pad	1	75	φ110Pulley	13
36	Lower Pull Bar	1	76	Pulley Cover1	6
37	Triceps Upper Seam	1	77	Pulley Cover2	6
38	Triceps Backrest Support Tube	1	78	Pulley Cover3	6
39	Triceps Backrest Pad	1	79	Pulley Cover4	2
40	Triceps Bned Connector	1	80	φ90Pulley	1

Parts List (Cable Crossover)

Part No.	Description	Qty	Part No.	Description	Qty
1	Cable Crossover Frame	1	22	Socket Head Bolt M10*120	4
2	Guide Rod	2	23	Socket Head Bolt M10*70	1
3	Cable	1	24	Socket Head Bolt M10*30	4
4	Handrail	2	25	Washer ø10	20
5	Adjust Tube	1	26	Lock Nut M10	8
6	Protection Plate	1	27	Socket Head Bolt M6*20	16
7	Upper Seam		28	Washer ø6	40
8	Adjust Bracket	2	29	Lock Nut M6	8
9	Lower Connector	1	30	Dome Head Bolt M4*16	2
10	Pulley Cover Assembly	1	31	Circlip	2
11	Cable Crossover Upper Weight Plate	1	32	Jack Screw M8*10	8
12	5KG Weight Plate	42	33	Pulley	7
13	Pulley Assembly	1	34	Pulley	1
14	Shock Pad	8	35	Pulley Cover 1	4
15	Cable Retainer	4	36	Pulley Cover 2	4
16	Cable Retain fixer	4	37	Single Strap	1
17	Guide Rod Sleeve	8			
18	Gourd hook	4			
19	Weight Select Pin	4			
20	Fixing bracket	8			
21	Hook	6			



GARLANDO SPA
Via Regione Piemonte, 32 - Zona Industriale D1
15068 - Pozzolo Formigaro (AL) - Italy
contact@toorxprofessional.it
www.toorxprofessional.it