

TOORX
PROFESSIONAL LINE

MANUAL DE INSTRUCCIONES



WLX3200



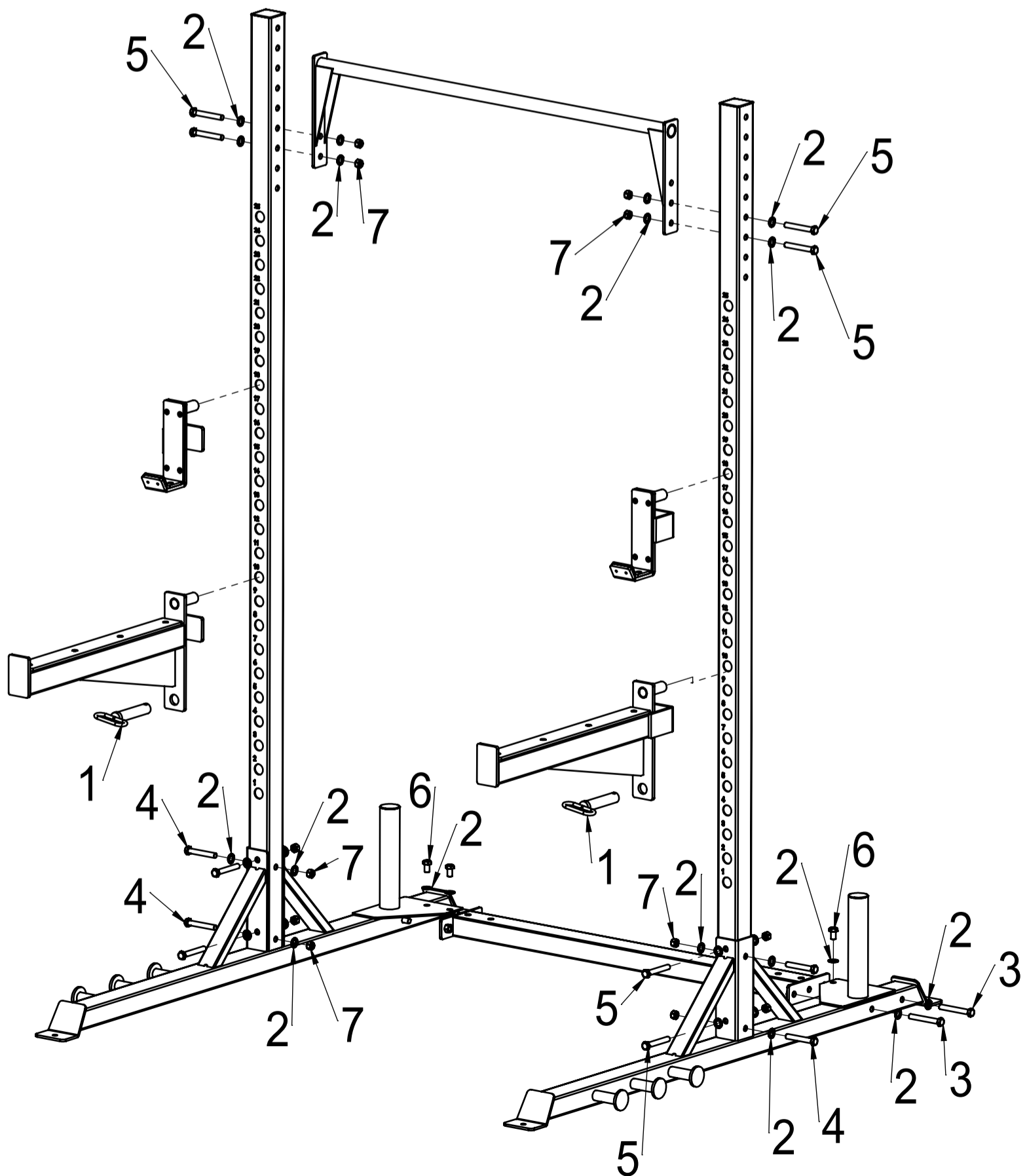
Cod : GRLDTOORXWLX3200

Rev : 00

Ed : 04/20

PART LIST

PART NO.	DESCRIPTION	QTY
1	Quick Pin	2
2	M12 Washer	32
3	M12X90 Hex Bolt	4
4	M12X80 Hex Bolt	4
5	M12X85 Hex Bolt	8
6	M12X20 Hex Bolt	4
7	M12 Nylon Nut	12





GARLANDO SPA
Via Regione Piemonte, 32 - Zona Industriale D1
15068 - Pozzolo Formigaro (AL) - Italy
www.toorx.it - info@toorx.it