

TOORX
PROFESSIONAL LINE

MANUAL DE INSTRUCCIONES



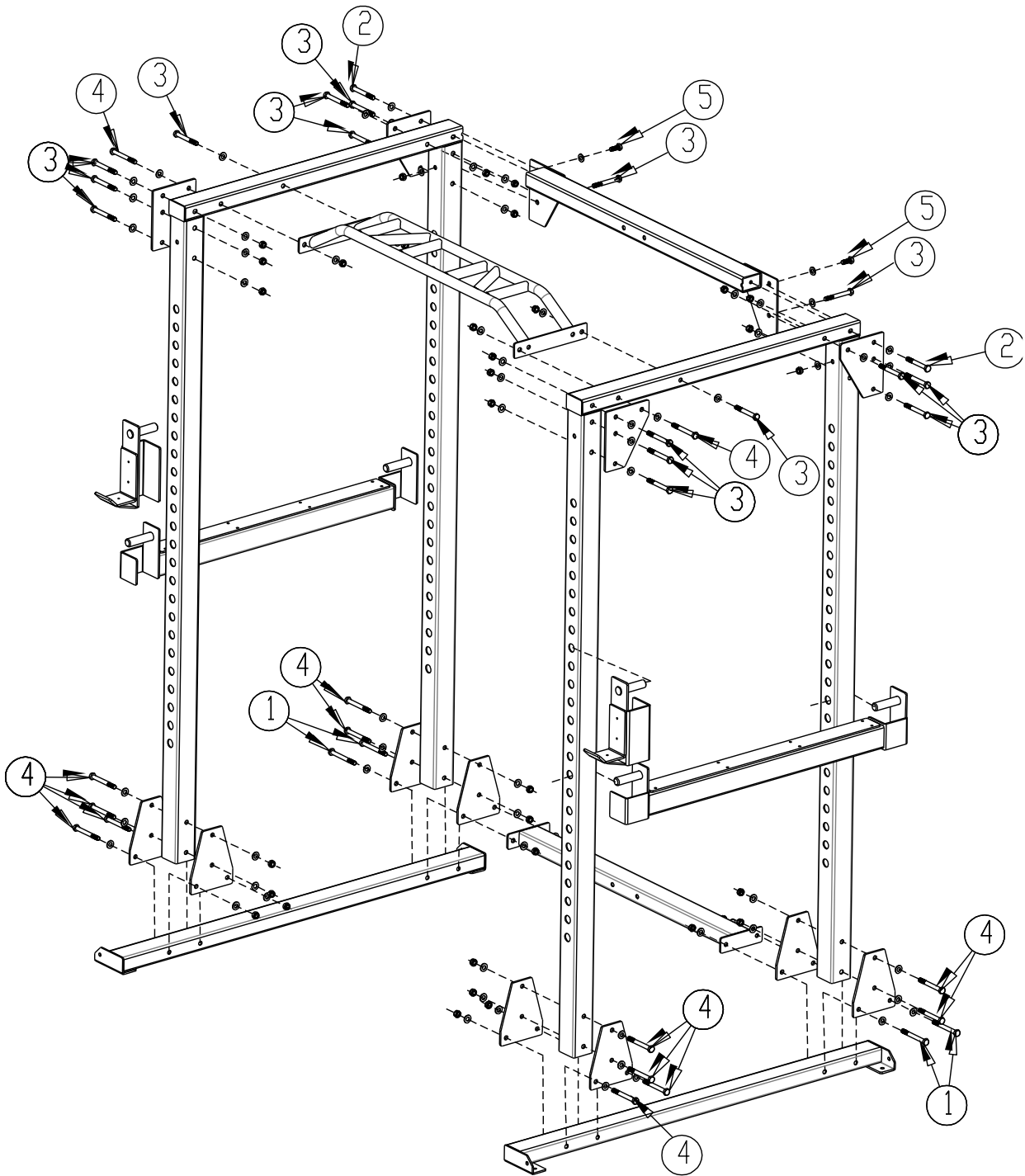
WLX3600



Cod : GRLDTOORXWLX3600

Rev : 00

Ed : 04/20



PARTS LIST

NUMBER	DESCRIPTION	QUANTITY
1	BOLT M12*110 + TWO WASHERS + NUT	4
2	BOLT M12*95 + WASHER	2
3	BOLT M12*100 + TWO WASHERS + NUT	16
4	BOLT M12*105 + TWO WASHERS + NUT	14
5	BOLT M12*30 + WASHER	2



GARLANDO SPA
Via Regione Piemonte, 32 - Zona Industriale D1
15068 - Pozzolo Formigaro (AL) - Italy
www.toorx.it - info@toorx.it